

The Clarkston News

Published in the Interests of Clarkston, Waterford, Drayton Plains and Ortonville

VOLUME 25

Single Copy 5 Cents

CLARKSTON, MICHIGAN, THURSDAY, JANUARY 28, 1954

NUMBER 22

CLARKSTON TO VOTE ON \$600,000 BOND ISSUE

Health Survey In Schools

Did you know that only 50% of the school children in Oakland County are protected from diphtheria and tetanus and 41% from smallpox? This was determined by the recent survey of children from kindergarten through fifth grade and was done by joint cooperation of the Health Department, the schools and volunteer parent groups. The information on returned letters from the parents was tabulated by volunteer workers.

Research has shown that if 60% of the community is adequately protected, epidemics can be prevented. How does this community rate?

According to Miss Mildred Halvorsen, R. N., your public health nurse, this school area is 46% protected from diphtheria and tetanus and 27% from smallpox. All parents of children needing protection are urged to consult their private physician or your Health Department.

The potential danger makes this a serious hazard. Children need not have diphtheria or smallpox.

Brownie News

When Brownie Troop 200 met last week we had cupcakes for our treat. They were brought by Carol Decker and we enjoyed them very much. Our leader gave us some valentines to cut out. We talked about what we are going to do at the P. T. A. meeting on February 11th. We sang a song.

Vicki Sue Burley, Scribe

At the meeting of Brownie Troop No. 286 of Andersonville this week, after collecting the dues and having the roll call, we worked on fancy work for the Fair in March. Some of the girls darned socks and made some new embroidery stitches toward earning their sewing badges. We then had our "Goodnight Circle".

Karen McIntire, Scribe

In Greater Hands

A man in his weakness the world travels through, Perplexed* by the minute with tasks he must do, Each day is a challenge to strength and to mind Keeping pace with the world and all of mankind.

More problems each day to a man doth appear As progression of life goes on through each year, No one is expected to know everything That sews up our lives like a needle and string.

Mankind has departed so far from his past And life all about him is moving so fast, That gains he has made are apt to slip by, Without ever having him give them a try.

New things when created though new are too old In the mind of today, exacting and cold, For somewhere in a mind are much greater plans That God is preparing to place in our hands.

So when we can't cope with the tasks of the day It's foolish to look at our world in dismay, But when we have tried and given our best Let God take our problems and He'll do the rest.

—ROBERT C. BEATTIE
(All rights reserved)

Holly Theatre

"The Friendly Playhouse"
Air-Conditioned

ON OUR
NEW RADIANT WIDE SCREEN
AS IT WAS MEANT TO BE!

Thurs. Fri. Sat. Jan. 28-29-30

John Wayne, Lloyd Nolan in
ISLAND IN THE SKY

Sun. Mon. Tues. Jan. 31, Feb. 1-2
Leslie Caron, Mel Ferrer in
LILI in Technicolor

Rotary Anns Go To Alaska

On Tuesday evening Mrs. Robert L. Jones opened her home to the Clarkston Rotary Anns. She was assisted by Mrs. Charles W. Robinson.

There were twenty present. Mrs. Charles Rockwell, vice-president conducted the business meeting in the absence of Mrs. A. W. Hawke. The group voted to donate \$25 to the March of Dimes.

Following the business meeting Mrs. R. M. Parker, program chairman for the evening introduced Edw. D. Whipple who took the group on a trip to Alaska. The country was rough and rugged but the scenery was beautiful. Along the way could be seen wild life in its natural habitat. Everywhere could be seen, lakes, streams, mountains, rocks and plenty of wooded country. All waters were teeming with fish. It is a fisherman's real paradise. Many of the ardent fishermen in the club seemed anxious to pack their fishing equipment and start out for Alaskan waters.

To close a lovely evening refreshments were served from a lace covered table centered with an arrangement of white mums in a milk glass footed bowl, flanked by white candles in milk glass holders. Mrs. Whipple presided at the silver service.

The February meeting will be held at the home of Mrs. Richard Morgan.

Rotary Club News

Mrs. Howard W. Rieman, a member of the Executive Committee of the Oakland County Chapter of the March of Dimes National Organization was present at the Rotary Club meeting last Monday evening to explain the work of that organization. It was explained that polio struck fast and the treatments are expensive. That's where the March of Dimes helps. The family is relieved of the expense worry and the patient is assured the best. The March of Dimes is also helping with extensive research and it is hoped that inside of a couple of years that a vaccine, which is now being tested, will almost stop polio or at least make it sting harmless.

The meeting was held at Caribou Inn where the central location, the service and a fine dinner were enjoyed.

Next week the meeting will be held at the Community Center and the ladies of the Andersonville Church will serve the dinner.

Localities Honored By D. A. R.

Solvej Petersen, daughter of Mr. and Mrs. Albert C. Petersen of 6285 Orion Road, Clarkston, has been chosen as the Daughters of the American Revolution, Good Citizenship Pilgrim from the Clarkston High School. Others representing the General Richardson chapter are Patricia Wagonjack of 6337 Maybee Road, Clarkston, from Waterford Township High School, daughter of Mr. and Mrs. John Wagonjack of Port Huron; Dessalee Temple of Oak Hill Street, Pontiac, from Pontiac High School and Donna Shaw of Wilcox Street, Rochester from Rochester High School.

These Pilgrims will represent the local chapter at the annual state conference of Michigan D. A. R. at Battle Creek in March. They will be guests of the Michigan Society for a luncheon meeting March 27th in Battle Creek. At that time the state winners will be announced.

Senior girls from Michigan public schools are chosen for their qualifications of citizenship, the goal of the D. A. R. being to encourage the appreciation of character building as a basis for good citizenship. Three girls having these qualifications are chosen by the students and one of the three selected by a faculty committee as the winner.

The qualifications are: Dependability, including truthfulness, loyalty and punctuality; service, including cooperation, courtesy and consideration of others; leadership, including thorough personality, self control and ability to assume responsibility; patriotism including unselfish interest in family, school community and nation.

The Pilgrims and their mothers will be guests of the General Richardson chapter, Feb. 4th at the Pontiac, Y. W. C. A. for a dessert meeting. Mrs. Lloyd Porter chapter chairman of the Good Citizenship Pilgrimage Committee will present each girl with a pin. The pin has thirteen stars on the rim, identifying it with the D. A. R. In the center four books represent the qualifications for citizenship; beneath is the torch of understanding encircled by a wreath of honor.

Each pilgrim fills out a questionnaire provided by the national society. Judges will select the Michigan winner who will receive a \$100 bond from the national society. This winner and others receiving honorable mention will be announced by the state chairman at Battle Creek.

Local Sea Scouts Make Appeal

You have probably often heard of scouts doing good deeds. The following deed carries a plea, that should interest every good American.

Dick Brown is an outstanding example of a good scout. In the past few years he has obtained his Eagle Scout Award and also received the Air Scout Ace Award. Dick, who lived in this vicinity, also served the Camp Awareness Staff, at Lake Orion, as waterfront director. Now Dick has been drafted and is serving in Korea with the 326th Communication Reconnaissance Company.

One night in the grim winter of 1951, a tiny Korean girl, lost, half frozen, and hungry, broke down and cried for food at the rear of the company area. She was taken in by the group, fed, given warm clothes and a place to sleep.

As the winter progressed, more children were taken in until the total grew to more than 50. The entire cost of the food, clothing and housing was paid for from the meager earnings of the members of the 326th Communication Reconnaissance Company with which Dick is stationed.

The men voted not only to continue to help support their former charges but expanded their relief program to include more than 200 other youngsters living at the Seoul Hospital.

They are able to support these war orphans through monthly payday donations... BUT THEY NEED HELP.

Dick wrote to us (the local scouts), and asked if there was something we could do to aid in the care of these orphans.

Well, there you have it. Now it is up to you. These are the things that are urgently needed by Dick and his buddies to assist them with their program:

1. Money; 2. Powdered whole milk; 3. Dehydrated foods of all kinds; 4. All kinds of clothing with emphasis on underwear and socks for winter use; 5. Shoes.

These children are between six and ten years old, so the sizes should be within this range. The Scouts would like to mail a BIG BOX full of these much needed articles to Dick during Boy Scout week which is the first week in February. In fact they would like to get the box mailed on Feb. 8th.

If you will call one of the following, your donations will be picked up: Don Turek, MApple 5-4161; Nathan Riffle, MApple 5-4401; Larry Ruggles, MApple 5-4694.

The box will be mailed directly to Dick Brown and his buddies who will distribute the goods to these needy children.

Dairy Bar Open Sundays

The Clarkston Dairy Bar is now open and serving dinners on Sunday. Chicken, fish, chops and steak dinners will be served. The Dairy Bar will specialize (as always) in serving Swift's Ice Cream.

PRISCILLA CIRCLE MEETS WEDNESDAY

The Priscilla Circle of the Methodist W. S. C. S., will meet on Wednesday, February 3rd, at the home of Mrs. Ray C. Ainsley for a planned luncheon at 12:30 P. M. Mrs. Arnold Mann will be the co-hostess.

F. & D. Banquet Wednesday, Feb. 24

Everyone is asked to note the fact that the date for the Father and Daughter Banquet at the Clarkston Methodist Church has been changed to Wednesday, February 24th.

All fathers in the area are urged to plan on attending with their daughter or daughters. A very fine meal will be served at 6:30 with Mrs. Ralph Kreger in charge. The program is being arranged by Charles W. Robinson and promises to be a good one.

Mr. and Mrs. Arthur G. Clark and family of Detroit spent last Sunday at the home of his parents, Mr. and Mrs. Lee M. Clark.

A trip Around The World Via Electric Organ



Miss Alice Smith is appearing at the Sashabaw Presbyterian Church on Sunday evening, January 31, to present a benefit concert beginning at 7:30.

Her very interesting and unusual program is titled "A trip around the world via the Hammond organ" and promises to be well worth while.

A coffee social will follow the program and a free-will offering will be taken for the church organ fund.

The public is invited.

Eldred Elected To Board Of Directors

Robert R. Eldred, vice-president of the Community National Bank of Pontiac, has been elected to the board of directors of The Pontiac Coach Company, Drayton Plains, Michigan, manufacturer of Pontiac Chief mobile homes.

The announcement is made by Les Hutchinson, president of The Pontiac Coach Company, which is just starting production of a new 50 foot model in its new factory at Drayton Plains.

Shrine Circus Starts Monday

Tunis E. (Eddie) Stinson, general chairman of the Annual Shrine Circus coming to the State Fair Coliseum for a two week engagement starting Monday, February 1st with performances twice daily at 2 and 8 P. M., has secured the most unique act in Circusdom, Jack Joyce's Performing Camels, a troupe of four haughty actresses with humps on their back and their trainer Joyce has finally succeeded in making a camel walk a mile for him. Show people considered a trained camel act impossible as their personal habits are so bad that they have few friends even among other camels. And so the lowly camel an object of centuries of abuse, has responded like any other woman to the thundering compliment of applause.

Clyde Beatty, world's greatest wild animal trainer returns again with his group of ferocious lions and tigers direct from Hollywood where he just finished a Warner Bros., movie called the "Ring of Fear" and included in the cast were Pat O'Brien and Mickey Spillane, famed mystery writer.

Featured in desperate deeds of daring are the matchless mid-air Artonts and Comets on the flying trapeze; Flora Zucchini, the human cannonball; the sensational Ortons on their 120 foot high swaying poles; the Coronas in thrillers on the high wire; Joanides, juggling marvel of the slack wire; the Tokayers, teeterboard and acrobatic performers; the aerial ballet featuring Ullaine Malloy, Mussetta, Jimmy Troy and the Lee Sisters and the novelty iron jaw and Butterfly number.

Other spotlight acts are the Zoppe-Zavatta Family of bareback riders, Johnny Welder's Bears; Sonny Moore's Roustabouts, a group of educated canines; Joe Lemke's Educated Chimpanzees and the Cole Brothers Circus herd of performing elephants. The fun battalion is headed this year by Otto Griebling, Felix Adler, Paul Jerome, Ernie Burch, Earl Shipley, Frankie Saluto and the Sherman Brothers. Reserved seats are now on sale at the Shrine Club in the Masonic Temple in Detroit and the box office is open every day from 9 A. M. to 9 P. M., including Sunday. Phone reservations may be obtained by calling TEmple 1-0131.

Obituary

Mrs. Clara Gottwerth

Mrs. Clara Gottwerth, 79, passed away at her home in Byron, Michigan, on Sunday morning, July 27, 1874, the daughter of Mr. and Mrs. VanRansell Ballard. She attended school in Flint.

Mrs. Gottwerth and her husband, Chris Gottwerth, lived in Detroit until his death about 25 years ago when she went to Byron to make her home with her older sister and her husband. Her sister died several years ago.

She is survived by her sister, Mrs. Charles Cross of Clarkston and her brother-in-law, John VanAlstine, with whom she made her home and several nieces and nephews.

A prayer service was held at the Byron Funeral Home on Wednesday morning at 10:00 o'clock and the funeral service was held at the Sharpe Funeral Home in Clarkston on Wednesday afternoon at two o'clock with burial in Lakeview cemetery.

Ann Barrows, daughter of Mr. and Mrs. Walter S. Barrows has been elected secretary-treasurer and range officer of the Rifle Club at Tri-State College, Angola, Indiana.

Missionary Day At Waterford Church

Reverend R. E. Thompson of Wayne, Michigan, will be the guest speaker at all services of Waterford Community Church next Sunday, January 31, which is the quarterly Missionary Day. A veteran of many years of service in China with the China Inland Mission, Rev. Thompson can tell of experiences in many sections of that country. During World War II, he was separated from his family for four years while his wife and children were interned in a Japanese concentration camp.

With Mrs. Thompson, he is now engaged in the training of missionary candidates as he directs the Inter-Mission Candidate Training Program. This program provides training for accepted missionary candidates from various mission boards, arranging for them to do actual missionary work in the homeland under the auspices of various local churches. Miss Patricia Maxwell, a member of the Waterford Community Church, and an accepted candidate for missionary work in Japan under the Far Eastern Gospel Crusade, is at present working in Plymouth, Mich., under this plan.

At the evening service on Missionary Day, a group of fifteen missionary candidates under Rev. Thompson's supervision, will present a missionary pageant at the church. They will be dressed in costumes representing various missionary fields, and will present the needs of those fields by testimony and pictures. This is an unusual and most interesting program, and all are invited to attend all services.

EXPANSION OF 4 SCHOOLS IS PLAN

Following two years of study and survey by the Clarkston Community Board of Education and a representative Citizen's Committee, a school building bond issue has been proposed for February 2.

Different phases of study to establish sound plans for the education of the Clarkston children and at the same time to recommend plans that could be safely financed by the community preceded the bond issue announcement.

A population study of the district was the first step in the program with a pre-school child census following. Present enrollment figures were integrated in the study and finally, a mileage chart which showed not only the miles involved in pupil-transportation, but the amount of time required, became a part of the study.

Further studies were made as to the building needs. The present elementary enrollment is now

O. E. S. Chapter Has Friendship Night

The Joseph C. Bird Chapter, O. E. S., of Clarkston held Friendship Night in the High School Auditorium on Monday evening of last week. There were about 250 present from the Oakland County Chapters and from Detroit.

Honored guests were the Oakland County Association officers: Mrs. Marion Nelson, president, of Farmington; Mrs. Lloyd Sibley, secretary-treasurer, of Clarkston; Mrs. Caddy Voll, chaplain, of Rochester and Ed. Pritchard, 2nd vice-president, of Areme Chapter, Pontiac.

Officers from the 22 county chapters were special guests of the Joseph C. Bird Chapter officers and they exemplified the initiatory degree in an efficient and impressive manner. There were four candidates.

Mrs. Donald Harris introduced seventeen worthy matrons from the county, and Donald Harris had the privilege of presenting the worthy patrons.

The County Association officers were presented with gifts and Mrs. Sibley of the local chapter was especially honored when her chapter associates presented her with a bouquet of roses.

Those in charge were complimented on the success of the evening. Mrs. Glenn Johnson was in charge of the refreshments; Mrs. Orrie Adams, the guest book and Mrs. Carma Kern, Mrs. Kate Kraft, Mrs. Clair Hopkins and Mrs. Howard Johnson were the hospitality committee.

Church IN THE NEWS

CLARKSTON METHODIST

Rev. Robert M. Atkins, Pastor

9:45 A. M. Church School. William Mansfield, Superintendent. Classes for all ages including an adult class with Mr. A. E. Butters, teacher, and a discussion group led by Mr. Philip Smith.

11:00 A. M. Morning Worship. Sermon Subject: "The Primitive Church"

7:00 P. M. The Membership Committee is honoring all the new members who have joined the church since Mr. Atkins has served as pastor. All the new members and their families are invited to attend the regular meeting of the Youth Fellowship at 7 o'clock, followed by a social hour in the church parlors. There will be provision for small children in the nursery.

7:00 P. M. Youth Fellowship Tuesday, 7:45 P. M. Choir Rehearsal.

CLARKSTON BAPTIST

Rev. George Halk, Pastor

10:00 A. M. Sunday School for all ages.

11:00 A. M. Morning Worship.

6:15 P. M. Young People's Meeting.

7:30 P. M. Evening Service.

Thursday evening, Youth Jam-boree.

(continued on page 5)

1187. It is continually growing and has increased considerably since school began this year. Our total enrollment has gained 103 since September 23 of this year.

If the proposed elementary rooms are added to the existing rooms, there would be a total of 40 elementary rooms. If we compute the classroom load on the basis of the State recommendation of 30 children to a classroom the 40 rooms would house 1200 students. Our present elementary enrollment is 1187 and is steadily increasing. These proposed additions are not being proposed to take care of large future growths but are proposed to take care of the children that are already residing within the district.

A thorough study of the high school enrollment has been made. By following the present enrollment through school and by subtracting the seniors each year and adding the number of succeeding sixth graders that will enter high school each year, one can project a conservative figure for the future high school enrollment. The present high school enrollment is 523. By the end of the next three years it will have doubled.

This will happen even with allowance for a 14% drop out which has been the average drop out over the last three years. The conservative figure estimated does not take into consideration the move-in enrollment. Statistics show that there is a continual migration of new families into this school district.

The present high school course of study was analyzed to get the number of sections that were required to handle the present enrollment. For instance there are at present 4 sections of mechanical drawing; it is a conservative estimate then that the additional doubled enrollment would require at least 7 sections of mechanical drawing. This process was carried out for the complete course of study. It was found that today's enrollment requires 111 sections and the increased enrollment would require 181 sections and by 1956, 222 sections. 111 sections necessitate 19 rooms (the number presently available); 181 sections require 32 rooms; 222 would necessitate 37 rooms.

Study was also devoted to the question of what is the most economical way of providing sufficient class room space to house the enrollment.

Officials from the State of Michigan were called in, namely, Mr. Wilfred Clapp, Department of Public Instruction in charge of school building within the State, and George Schutt, Transportation Chief of the State. They made a thorough study of the situation and made written recommendations to the Board of Education and to the Citizen's Committee.

The Board of Education has developed from the recommendations of the Citizen's Committee and the State the most economical plan that could be utilized and most nearly meet the building needs.

L. H. Heenan, Pontiac Architect, and the H. E. Beyster Associates of Detroit, have been retained to draw preliminary plans for these additions.

These additions will be as follows: 4 rooms to the Sashabaw school; 4 rooms to the present Andersonville school; 7 rooms to the Clarkston Elementary school and additional facilities at the high school for home economics, locker room, shop, cafeteria and combination band and chorus room, plus 8 to 12 class rooms.

It is the policy of the Board of Education to take care of the immediate school growth problem in the most economical manner possible. Studies of the Citizens Committee, the Board of Education, and the State Department, support this program as being in keeping with that policy.

The program is therefore being submitted to the qualified voters of this district for their approval on February 2, 1954, asking for \$600,000 for the purpose of adding to the present high school and the elementary schools to meet the requirements for housing the school enrollment that will be in school next year.

This will require 10 mills for 20 years, but recent history of these issues show them paid off in less than 10 years according to the Board of Education.

Waterford

Mrs. Jack Hall, Correspondent

Mr. and Mrs. R. B. Munro along with Mr. and Mrs. Jack Munro and baby are vacationing in Florida for 3 weeks.

Mr. and Mrs. Joseph Helman had their 23rd wedding anniversary on the 25th and the Clyde Lehman's celebrated their 29th anniversary on the 26th.

Observing birthdays this week Mrs. Robert Amos, Mrs. Shirley Gesch Withner, James Helman and Carl Dailey, all on the 25th. Mrs. R. L. Hawke has one on the

29th; L. H. McFarland will be 71 on the 30th and Mrs. Irene Trunk's birthday is also on the 30th.

Mrs. Gladys Saari came from Mountain Iron, Minnesota, this week to make her home in Waterford. She is the mother of Mrs. William Jacober and the wife of the late Sam Saari.

Mr. and Mrs. Emery Beedle of the Airport Road arrived home Friday from a vacation in Florida. While they were in Lakeland they had a good visit with Mr. and Mrs. Fred Mitchell of Waterford who are spending the winter there.

Mr. and Mrs. Roy Munro are spending this week in Florida.

Bill Sutton, a student at Western Michigan College in Kalamazoo, is convalescing at his home following a recent illness with glandular fever.

Jeannine McCaffrey has been ill a week with tonsillitis but is much improved and is able to be out again.

Mr. and Mrs. Henry Mehlberg spent Sunday in Detroit at the home of Mrs. Isabella Pratt.

John Bozek is ill in St. Joseph's Hospital where he was taken last Saturday suffering from a heart condition.

The Adult Bible Class of the Waterford Community Church will meet Tuesday evening at 7:30 at the Charles Maxwell home. Roll Call will be answered with a verse from the Bible containing the word "gift". Mrs. Lawrence Giddings and Mrs. Fred Bruske will assist.

On Thursday the Ladies Auxiliary of the Community Church will meet with Mrs. Elmer Davis for a dessert luncheon with Mrs. Roy Pammeter and Mrs. Henry Mehlberg assisting the hostess.

The Men's Beacon Club will meet this Saturday evening at the Community Church for a pot-luck supper at 6:30, followed by pictures and a report on the work in Detroit's "skid row" and the Detroit City Rescue Mission. All men are invited to attend.

This coming Sunday, January 30th is Missionary Sunday at the Waterford Community Church. Reverend K. E. Thompson of the Far Eastern Gospel Crusade will preach at all services during the day. At the evening service at 7:30 there will be a missionary pageant presented by the members of the Inter-Mission Training program under the direction of Reverend Thompson.

ROBERT C. KRATT

Funeral services for Photographer's Mate Robert C. Kratt, 24, son of Mr. and Mrs. William P. Kratt of 4191 Foley Street, were held Saturday at 2 P. M. from the Sparks-Griffin Chapel with a military graveside service at Ottawa Park Cemetery. He was killed in a recent navy plane crash in the Canal Zone.

RED CROSS WATER SAFETY 40 YEARS OLD



Only forty years have passed since February 1, 1914, when the first Red Cross Water Safety courses were introduced to the world by the "amiable whale," the late Commodore Wilbert E. Longfellow (on running board). And, though styles in bathing attire have changed drastically in that time, the principles of water safety which the Red Cross has taught to 9,300,000 persons have remained constant. Waterproofing America has paid big dividends; since 1914 the drowning rate per 100,000 population has been cut in half. Water Safety is one of the many Red Cross services you support by your contributions to the annual Red Cross Campaign in March.

Survivors, in addition to his parents, are three brothers and a sister, William of Waterford, Donald of Drayton Plains and Jack and Carol at home.

GIVE NOW TO THE MARCH OF DIMES.

GET ANSWERS ON PROGRAMS AT BIG WEEK

"The Farm Program—now and for the Future" will be the discussion topic for a special Farmers' Week program at 1:15 P. M. Wednesday, Feb. 3, at Fairchild

Theatre on the Michigan State College campus.

Clarence Prentice, state administrator for the Agricultural Stabilization and Conservation Committee, will explain workings of the national program and tell how wheat will be marketed next summer under the quota program.

Burnell Held, Dale Hathaway, Arthur Mauch and Lawrence Witt of the college agricultural economics department will discuss how farm programs got this way, what farm programs should do for us, how price supports should be and what method to use for supporting prices.

The Clarkston News

Published every Thursday at 618 S. Main Street, Clarkston, Michigan. William H. Stamp, Publisher. Subscription price \$2.00 per year, in advance.



Entered as second-class matter, September 4, 1931, at the Post Office at Clarkston, Michigan, under the Act of March 3, 1879. Phone MA 5-4321

Watches — Bands

Bracelets
Watch Repairing
Drayton JEWELERS
4524 DIXIE HIGHWAY
Phone OR 3-7362
DRAYTON PLAINS

"GET MOST COMPLETE PROTECTION FOR YOUR AUTO INSURANCE DOLLARS"

NOTE: ROBERT C. BEATTIE
No other policy gives you more complete protection than our famous Blue Ribbon Auto Insurance.

You also get:

- 1 Cash dividend savings
- 2 Protection everywhere you drive
- 3 Fair, prompt claim payments

CALL OR WRITE

Robert C. Beattie
Phone ORlando 3-1925
Waterford, Michigan

NEWS LINERS

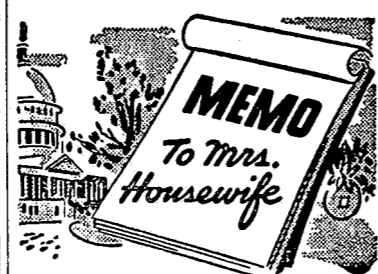
BRING RESULTS

33 1/3 off
Jackets
Slacks
Sweaters

We still have many good buys in Shoes
\$2.99 and \$3.99

GREEN'S Men's Wear

(Next To Pontiac State Bank)
PHONE OR 3-1807
DRAYTON PLAINS, MICH.
PLENTY OF FREE PARKING IN THE BACK



NATIONAL PRESS BUILDING
WASHINGTON, D. C.
By Anne Goode

Do you know how many rewards there are for reducing? A lighter step, clearer complexion, brighter eyes and steadier nerves, to mention a few. To collect these rewards, go easy on starchy foods and fill in with salads, fresh fruits and vegetables.

Here's a suggestion for a fine winter salad. Arrange sliced beets, hard-cooked eggs and onion attractively on crisp lettuce. Combine 2 cup French dressing and 1/2 cup real mayonnaise for a perfect accompaniment.

For the lunch box crowd, give that old favorite, the tuna fish sandwich, a new look—make tuna boats. First, split and spread sides of frankfurter rolls with sandwich spread; fill with drained, flaked tuna. Add crisp celery, cookies, a tangerine—and you have a deluxe lunch box!

Did holiday entertaining leave spots on your rugs? If so, here's a hint or two for proper home cleaning: Powder cleaners, rubbed into the rug and then removed with a vacuum cleaner, are best for all except cotton. Ammonia and alkalis should not be used. Solvents should be avoided (except for grease stains) as they leave rings.

BILT-WELL
NU-STYLE UNIT WOOD CABINETS



Furnished in graduated sizes to fit any shape or size room. Adaptable to all rooms of the home—household storage as well as kitchen use.

Come in and let us give you full particulars on Bilt-Well Cabinets.

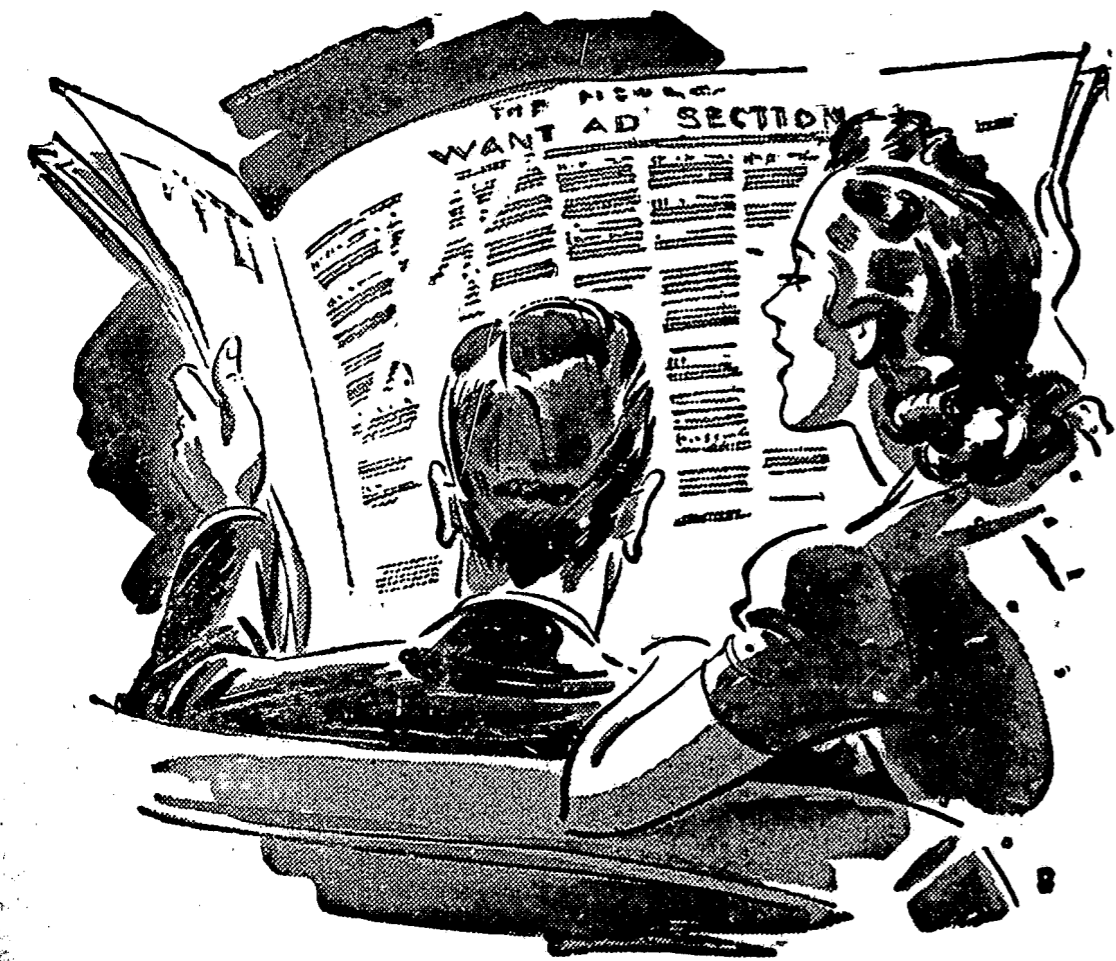
DEER LAKE LUMBER & SUPPLY
7110 Dixie Highway Clarkston



All the fine-car features... in a car costing hundreds of dollars less!

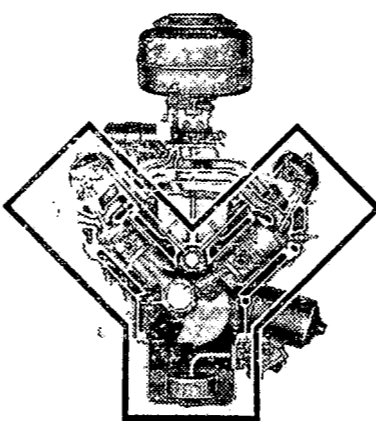
The many "custom-built" choices spell "fine car"

One of the biggest advantages of the more expensive cars can now be yours for Ford prices. That is choice. For instance, Ford makes available an option of three great drives: Fordomatic Drive, Ford Overdrive, and (at no extra cost) Conventional transmission. Ford also makes available all the optional power features you'd expect to find only in the costliest cars. And Ford offers you a choice of 28 models... you'll find there's one to fit your exact driving needs



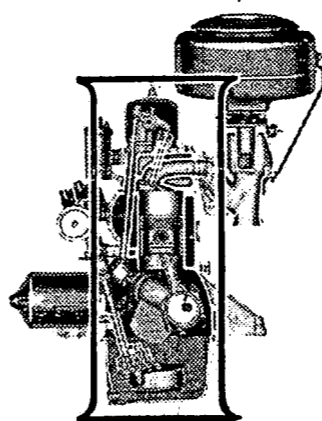
News Liners Bring Results

Try One
Dial Maple 5-4321



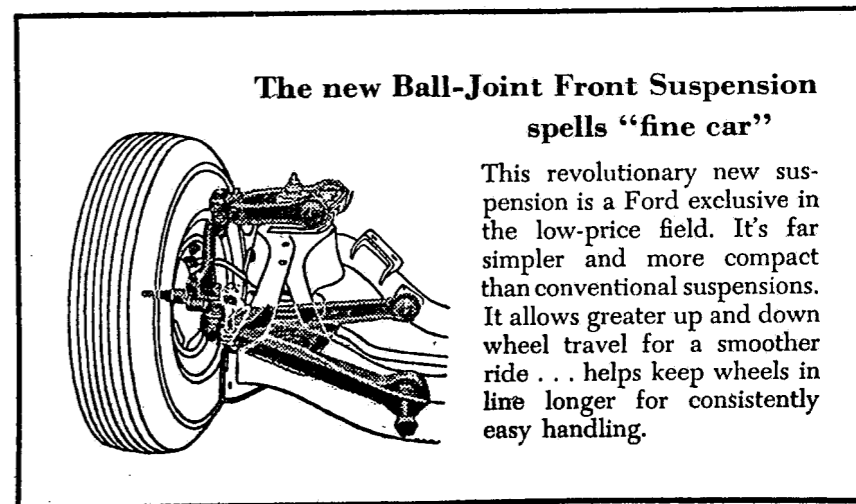
The 130-h.p. Y-block V-8 spells "fine car"

It's a brand new Overhead-Valve engine offering 18% more power... better economy, too. Deep-block design, plus a new 5-bearing crankshaft mean greater rigidity for smoother, quieter engine operation. Low-friction design means longer engine life, too!



The 115-h.p. I-block spells "fine car"

Like the new V-8, it has deep-block build for greater rigidity, longer engine life. Also, like the V-8 it has low-friction design plus high-turbulence combustion chambers and Free-Turning Overhead Valves for high-compression "Go" from regular gas.



The new Ball-Joint Front Suspension spells "fine car"

This revolutionary new suspension is a Ford exclusive in the low-price field. It's far simpler and more compact than conventional suspensions. It allows greater up and down wheel travel for a smoother ride... helps keep wheels in line longer for consistently easy handling.

You are cordially invited to come in and see the car that's setting the trend in style and performance. Test Drive it and you'll want to drive it home!

Plus five optional power assists you'd expect to find only in America's costliest cars. These fine-car power options are available in Ford at extra cost. You can have Master-Guide power steering, Swift Sure Power Brakes, a 4-Way Power Front Seat, Fordomatic Drive (or Overdrive) and Power-Lift Windows!

More than ever... THE STANDARD for THE AMERICAN ROAD

'54 Ford

BEATTIE MOTOR SALES

ORlando 3-1925

"23 Years Your Ford Dealer"

Waterford, Mich.

School News

CLARKSTON ELEMENTARY

SECOND GRADE Miss Metzger

This week we are going to visit a grocery store in Clarkston. We will interview the grocer and find out his duties. We will also visit the bakery.

Our play grocery store has helped us learn about money and the care of foods. We are making a frieze of how meat gets from the ranch to our table.

Carol Kieft has returned from a visit to California. She told us of some things she saw and showed us raw cotton and a piece of petrified wood.

SIXTH GRADE Mrs. Forsyth

Our magic petunia plant has had several blossoms. The girls are ahead of the boys in our spelling contest.

Beginning this week the teacher selected one student to go to the board and review 3 arithmetic problems. Gordon Kelley was the first and he got an "A".

We elected new officers: president, Frank Strother; vice-president, Paul Bennett; secretary, Richard Mansfield; treasurer, Shanna Stewart. Service Squad Captain is Pat Anthony; Lieutenant, Prudy Hutchins; Safety Patrol Captain, Eddie Glennie, and Lieutenant, Dick Spohn.

This marking period we hope to do better.

Donna Ruggles

THE WABAHSAS

edited by the Sixth Grade

INDEPENDENCE TOWNSHIP

(continued from last week) Pine Knob, on the northwest quarter of section 23, is about a hundred feet in height above the general level and covers about sixty acres, much of which is tillable. The general slope of the country is south and west, with very fine natural drainage afforded by the Clinton River and its tributary streams.

KINDERGARTEN Mrs. Beck Mrs. Lockhart

They have some new curtains for their playhouse that just match their draperies.

They are practicing telling stories after the stories have been read to them. They are also telling stories from pictures.

They have new plastic cups for their easel. They have learned a winter poem about a snowman and several winter songs.

They are doing some readiness work. Louise Hedden, Judy Henderson and Bobby Grace have birthdays this month.

LAUGH TIME

Farmer: (hailing neighbor in car) "Going into town Pete?" Pete: "Yep" Farmer: "Will you take my coat along with you?" Pete: "Sure, where do you want me to deliver it?" Farmer: "Don't worry about that I'll be in it".

DR. HARRY YOY PHYSICIAN and SURGEON 21 E. Washington - Clarkston Office Hours Daily Except Wed. 10 A. M. - 1 P. M. 3 P. M. - 5:30 P. M. Evenings: Tuesdays and Fridays Phone MA 5-3616

Rockwood W. Bullard, Jr. John F. Naz PHYSICIANS and SURGEONS OFFICE HOURS BY APPOINTMENT ONLY PHONE MA 5-5921 20 S. Main St. Clarkston

MORRISON DRUG Prescriptions and Sundries 5809 Dixie Hwy. Waterford Phone ORLANDO 3-2992 Emergency Number, OR 3-1846

Dr. DON STACKABLE X-RAY DENTISTRY 14 N. Main St. MA 5-3966

DR. A. W. EMERY VETERINARIAN 5540 Dixie Hwy. Waterford Residence Phone OR 3-1936

RONALD A. WALTER ATTORNEY AT LAW 5 South Main Street CLARKSTON Phone MA 5-3441

WILLIAM H. STAMP ATTORNEY AT LAW News Office: Ph. MA 5-4321 CLARKSTON

FIRST GRADE Mrs. Houlding Mrs. Draker Miss Scholtz

Miss Scholtz's room received an interesting letter from the Fourth Grade children at Pontiac Lake School. The letter told them about their school activities. Now they are busy practicing their printing so they can answer their letter.

Joyce Stokes had a Birthday over the weekend. Jack Passage is going to celebrate his on Thursday.

Mrs. Draker's room got a new boy from West Virginia. His name is Lynn Miller.

Mrs. Houlding's room had a popcorn sale last Friday.

SECOND GRADE Mrs. Crowley Mrs. Tompkins

The bulletin board in Mrs. Tompkins' room, called "Our Friends", has everyone's picture on it. They enjoy looking at it very much.

They have a new girl. Her name is Helen Caverly.

They have a new aquarium in their room. They are buying some guppies and other tropical fish to put into it.

Mrs. Crowley's children are learning to make some new letters. It is great fun to make these curves and join them together to make words.

Mrs. Crowley's children made a "Picture Tree" on their bulletin board. All their little faces are the flowers on it.

THIRD GRADE Mrs. Godfrey

Janet Young has a new baby sister.

Mrs. Godfrey is doing well after her operation and will be back in school soon.

HUNTER SCHOOL Mrs. Howland

This week we are reviewing the work we had this semester. We are having some tests and most of us are very happy with our marks.

We like to play "Fox and Geese" in the fresh snow. Several of us play inside because of colds. Carl Wilburg is going to Florida on a vacation. Have a nice time Carl.

Our teacher is reading "Light-foot the Deer". We like it very much.

ART and CRAFTS Mrs. Campbell

Third and Fourth grades and those Fifth and Sixth grades whose tiles have been taken to the kiln, have been drawing pictures to illustrate "Bad Sir Brian Botany". Fifth and Sixth grades will have a short test on ceramics.

Look for us next week.

MSC ASKING NAME BE CHANGED TO MSU

A request that the name of Michigan State College be changed to Michigan State University has been sent to the state legislature and the governor by the State Board of Agriculture, governing body of the college.

"Michigan State College", the board members said, "is a misleading name. We are really a university in that there are many colleges involved in the organization".

The change, if approved by Michigan lawmakers, would come in 1955, the year M. S. C. observes its 100th anniversary.

M. S. C. President John A.

Cooking for a Crowd Is Fun, Say Home Economic Coeds at Wayne U.



Wayne University students, Rose Mary Hagan of Traverse City (left) and Rae Deane Gerkowski of Flint, practice "cooking for crowds" in one of Wayne's modern home economic laboratories.

Tales of Paul Bunyan, that mythical lumberjack with the oversized appetite, are common throughout Michigan.

Often women who have to plan a church or club supper think that feeding a crowd is as big a problem as feeding Paul Bunyan.

But coeds at Wayne University taking institutional administration classes in the home economic department, say it is not too large a problem if you have a few basic recipes and knowledge of quantities needed. The coeds offer a few hints on how to do a good job.

First, consider the type of affair for which you must plan. Are you serving a church supper, a women's luncheon, a young people's social or a men's dinner? Then you will know when to concentrate on hearty or fancy food.

But whether you're serving a meal for cost or profit, you will want to use reasonably priced foods high in appetite appeal. Consider nutrition and foods in season. Remember it is better to have generous servings of a few well-cooked dishes than too little of an elaborate menu.

The girls recommend estimating the number you expect to serve when planning the meal. This can be done by checking on the ticket sales or the reservation list. It is wise, they say, to add ten per cent so you will be prepared to serve a few more at the last minute.

Family recipes for stews, meat loaves, soups, creamed foods, and

ATTRACT BIRDS BY FEEDING THEM DURING COLD MONTHS

Hannah, in stating that he is in favor of the move, said that "We have been a university in every sense of the word since 1930. Although it has been generally understood in the midwest that Michigan State College is a university, a great deal of explaining has been necessary to convince those in other parts of the country and foreign countries that we are a university".

"I don't think that there will be any confusion over the change in names", he added. "It will continue to be known as Michigan State".

College officials pointed out that similar changes have been made by other institutions in recent years. In November, the name of Pennsylvania State College was changed to Pennsylvania State University.

Citing that there is ample precedent for the move, President Hannah said, "Most of the land-grant universities began as agricultural schools or agricultural universities. There are a few of us left that don't have the name university."

NEWS LINERS BRING RESULTS

Provision must be made to prevent squirrels from taking food whenever it is put out. A swinging tray or a tray on a post which

is protected by a circle of sheet metal are satisfactory if they are out of reach of the squirrels. Birds are unsafe around any intended sanctuary or feeding station where cats are allowed. Do not start a feeding station unless you are willing to give up your cat.

In general, there are two types of food to be put out: seeds, for birds such as sparrows, juncos and grosbeaks; and suet or fat, especially for insect-eating birds, such as woodpeckers, nuthatches and brown creepers.

One of the best and least expensive foods for the tray is "medium scratch" chick feed. This consists chiefly of wheat and ground corn and may be purchased at any feed store. Some birds prefer hemp seed, millet, kaffir corn, and sunflower seeds. Jays love peanuts or sunflower seeds, while cardinals and evening grosbeaks prefer the latter.

Other satisfactory foods are bread crumbs, dog biscuit, canary seed, nuts, raisins, currants, bits of apple, and pieces of banana and other fruits.

Chickadees love doughnuts, crumbled on the feeder, or hung by a string from a tree. Game birds, such as pheasants, quail, and grouse, will feed on corn left on the cob and placed in stalk shelters.

After you once have started putting out suet and seed, it is dangerous to discontinue it later in the winter season, when the birds have come to depend on a regular food supply. They may not be able to find a new food supply if the artificial one is cut off suddenly, warns Professor Hann.

FARM WEEK WILL ATTRACT HOMEMAKERS

Timely tips for every homemaker and consumer will be presented in a meat cookery lecture-demonstration Tuesday afternoon Feb. 2, during Farmers' Week at Michigan State College.

Miss Reba Staggs, director of the department of home economics for the National Live Stock and Meat Board, will make use of beef, veal, pork and lamb in her demonstration.

She will also illustrate the various methods of meat preparation and will show how these methods can be utilized to the best advantage.

In another phase of her presentation, Miss Staggs will demonstrate the rules to follow in the care and storage of meat. Homemakers will also gain information on the nutritive value of meat from her discussion.

On Tuesday morning, homemakers attending the home economics program in the main auditorium will learn the "what, how and why" of functional furniture. Special women's sessions on

Wednesday and Thursday mornings and afternoons will include talks on personality, kitchen planning, health for older folks, and world affairs.

The annual Farmers' Week style revue by M. S. C. coeds will be presented Thursday afternoon in the auditorium.

MEAT FIXED FOR FREEZING MERITS CARE

Cleanliness and temperature control are the major factors in preserving the home meat supply, according to Lyman J. Bratzler, Michigan State College animal husbandman.

The first rule in assuring a wholesome and high quality meat supply is that slaughtering, cutting and processing be done by a sanitary workman in a clean place.

Slaughtering and cutting sanitation determine to a large extent the length of time meat can be stored.

Carcasses that are soiled during dressing or later in processing cannot be cleaned satisfactorily, says Bratzler. The meat from these carcasses will discolor quickly and produce off odors

sooner than cleanly dressed carcasses.

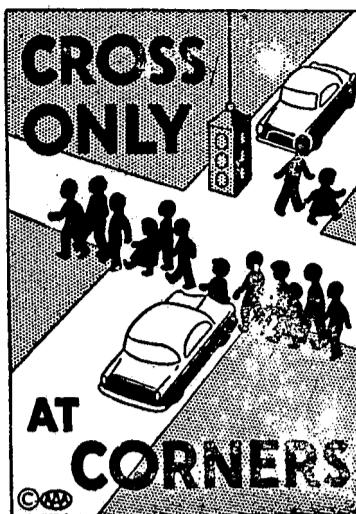
Frozen storage retains the fresh qualities of meat to the highest degree.

In preparing meat for frozen storage, veal and pork should be cut and wrapped as soon as the carcasses are thoroughly chilled. Beef and lamb of good and higher grade can be aged 7 to 10 days at from 32 to 36 degrees. Good wrapping materials are moisture- and vapor-proof cellophane, aluminum foil and laminated papers. Waxed locker papers are good only for short periods, Bratzler cautions.

INSIDE TEEN-AGE GANGS

John Gunther takes you "Inside Teen-Age Gangs!" You'll meet the kids with the zip guns and switch knives... you'll watch jenn-age gangs waging war against law and order.

Begin John Gunther's shocking expose' in The American Weekly with next SUNDAY'S CHICAGO AMERICAN.



WINNER, NINTH NATIONAL TRAFFIC SAFETY POSTER CONTEST

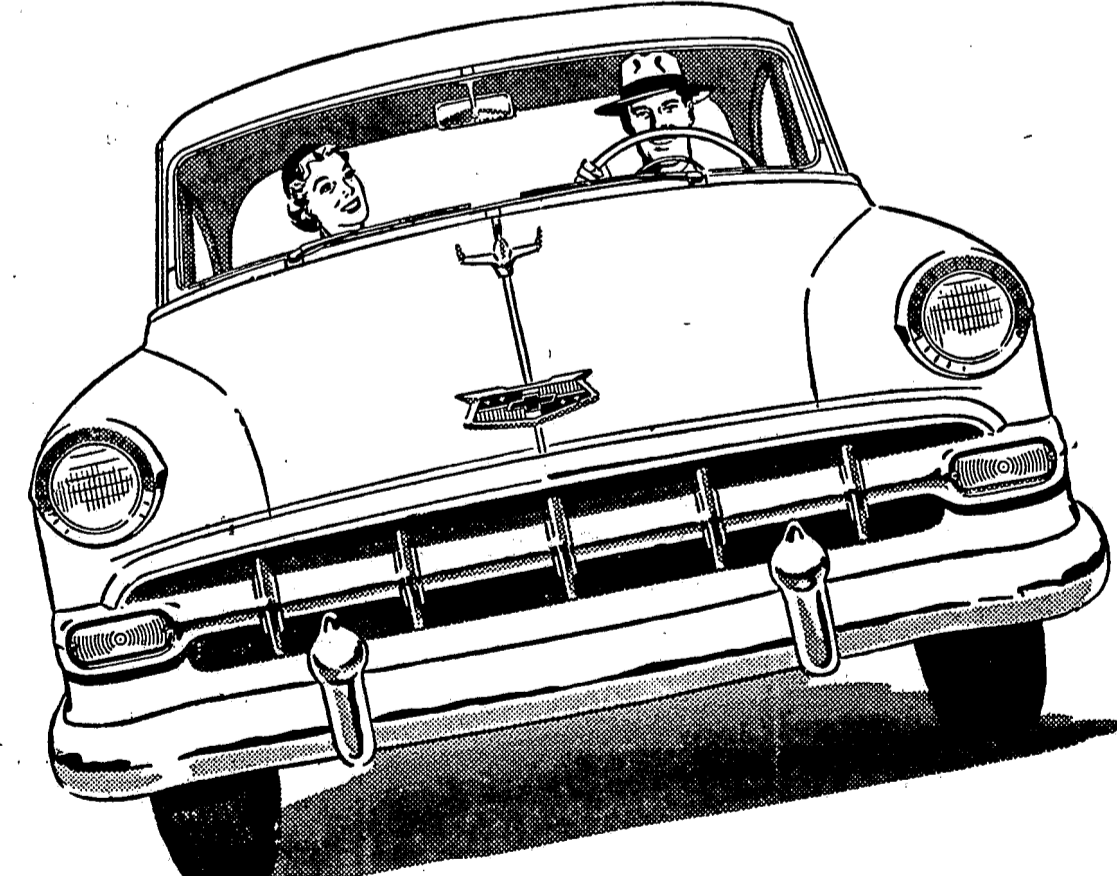


68 Sets of Patterns Being Closed Out at 1/2 Price

- 50 Patterns . \$12.95
32 Patterns . 5.95
101 Patterns . 19.95
68 Patterns . 19.95

THE DIXIE POTTERY Phone ORlando 3-1894 5281 Dixie Highway (near Waterford) Open Daily & Sunday 10 A. M. to 9 P. M.

You want everything and here's everything you want Only the '54 Chevrolets are POWERED to serve you in all these ways!



Yes, the three great new series of Chevrolets for 1954—lowest-priced line in their field—are also the only cars in their field that are automatically powered to serve you in all these ways. Come in, see and drive the new Chevrolet, and prove this for yourself!

More things more people want, that's why MORE PEOPLE BUY CHEVROLETS THAN ANY OTHER CAR!

DON PRINGLE CHEVROLET, INC. Chevrolet and Oldsmobile CLARKSTON PHONE Maple 5-5071

- POWER-styled for your pride of ownership
POWER-engineered for thrills and thrift
POWERGLIDE gives you finest no-shift driving
POWER Brakes for your greater safety-protection
POWER Steering for greater driving ease
POWER-operated front windows and front seat
POWERED to give extraordinary four-fold economy

Dear Editor:

... the letters start. Then from all over the free world come such comments as these from readers of THE CHRISTIAN SCIENCE MONITOR, an international daily newspaper:

"The Monitor is most reading for straight-thinking people..."

"I returned to school after a lapse of 18 years. I will get my degree from the college, but my education comes from the Monitor..."

"The Monitor gives me ideas for my work..."

"I truly enjoy its company..."

You, too, will find the Monitor informative, with complete world news. You will discover a constructive viewpoint in every news story.

Use the coupon below for a special introductory subscription—3 months for only \$3.

Name (print) Address (print) City State Zip

TRAVELERS CHECKS

Acceptable Anywhere

BUY THEM HERE

Clarkston State Bank Clarkston, Michigan Member Federal Reserve Member Federal Deposit Insurance Corporation

Red Cross News

Dr. E. W. Bauer of Hazel Park told executive committeemen of Oakland County Chapter, American Red Cross recently that this chapter had to lean on others to furnish enough blood to carry Oakland County through December.

the first in the new chapter house at 118 Franklin Blvd., Pontiac. "We fell dangerously low on blood collections in December," he said. "We released 377 pints of blood to patients in local hospitals. We staged two emergency "Bloodmobile" visits—one in Pontiac and one in Royal Oak, and we're very grateful to those communities. These two visits netted us just 254 pints of blood for the whole month.

Geo. H. Kimball, Jr. INSURANCE OFFICE — VanWetzel Bldg. 4540 Dixie Hwy. 5875 Andersonville Rd. Dryton Plains, Mich. Waterford, Mich. Phone: OR 3-9101 Phone: OR 3-2388

SHARPE FUNERAL HOME LARGE CASKET DISPLAY 24 Hour Ambulance Service Clarkston, Michigan Phone MA 5-2366 Collect

Gidley Electric Shop ELECTRICAL CONTRACTORS Commercial Installation General Electric Industrial and Oil Burner Residential Service Sales & Service

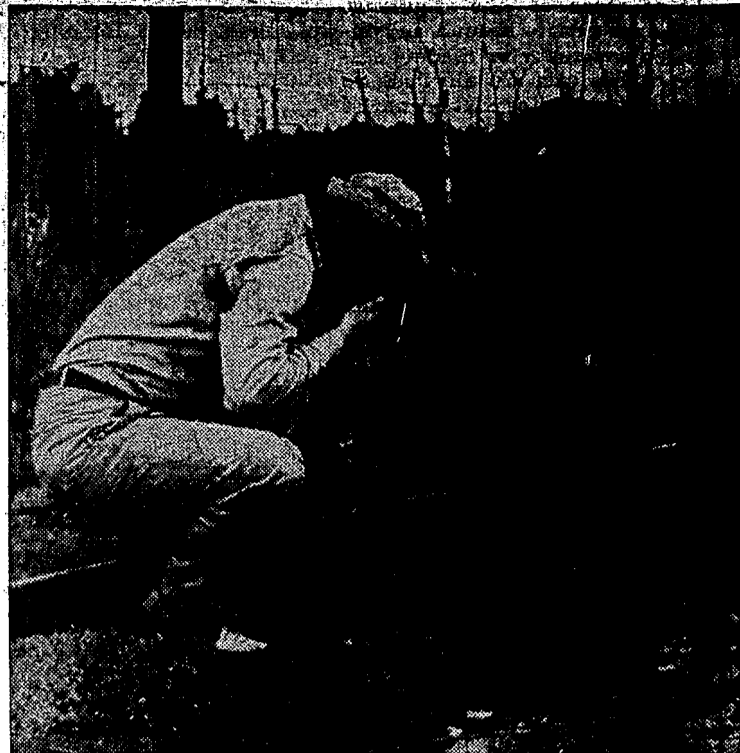
HANDY WAY TO SUBSCRIBE The CLARKSTON NEWS Clarkston, Michigan Please enter my subscription to The Clarkston News for one year for which I enclose \$2.00. Name _____ City _____ State _____

MODERN STORAGE LOCAL AND LONG DISTANCE MOVING GAUKLER STORAGE CO. Phone FE 2-9241 9 Orchard Lake Ave.

Laatsch's Northern T-V Service 6734 Dixie Highway — Clarkston Phones: Business, MAple 5-5311 Home MA 5-5001

KING'S INSURANCE AGENCY Office, Clarkston State Bank Charles W. Robinson Clarkston, Michigan Phone MA 5-2801 Isábel K. Bullen Phone MA 5-4881

Test for Brine



C. R. Brown, one of Michigan's oilwell inspectors, here uses the "field method" of analyzing runoff waters at a well near West Branch. If Brown tastes brine or other polluted runoff material, the petroleum driller nearby will be asked to mend his ways or face a court. With Brown is conservation officer Ralph Fisk of West Branch. State petroleum operations are strictly supervised with men such as Brown keeping close watch on pollution dangers along lakes and streams.

fact other chapters had to ship blood to us."

"During 1953," Dr. Bauer said, "the 'Bloodmobile' visited Oakland County 94 times, with 11,555 pints of blood donated. Civilians in local hospitals used 4,659 pints, leaving 6,397 for wounded veterans—gamma globulin to fight polio, and other uses."

Dr. Bauer said the 'Bloodmobile' is visiting Oakland County 14 times this month, making four stops this week alone in Pontiac, Hazel Park and Birmingham.

Other reports came from The Reverend H. B. Whitley, Royal Oak, home service chairman, who said his committee will come up with a suggestion soon about when and how the chapter should give cash to civilians in need.

Ralph Forman of Pontiac, chapter first aid chairman, introduced King Ganner, Red Cross safety services representative for Michigan. Ganner taught last week's first aid instructor training course which drew eight students.

Mrs. Robert F. Kohr of Birmingham reported 73,000 Oakland County youngsters are now enrolled in Junior Red Cross. The youngsters sent 923 gift boxes to needy children in other nations last year.

Waffles are family favorites. It's true they are quite delicious with lots of sirup and butter or margarine. But there's other ways

to treat these favorites. Add chopped walnuts or pecans to the batter. Chocolate waffles make good dessert eating when served a la mode with vanilla ice cream.

Legal Notices

ESTES & COONEY, Attorneys, 812 Pontiac State Bank Bldg., Pontiac, Michigan STATE OF MICHIGAN—In the Probate Court for the County of Oakland. 59,737

In the Matter of the Estate of Wilhelmina E. Moeller, Deceased. At a session of said Court, held at the Court House in the City of Pontiac, in said County on 28th day of December, A. D. 1953.

Present: Hon. ARTHUR E. MOORE, Judge of Probate. Viola M. Keasey, Administratrix of said estate having filed in said Court her Final Account and petition praying for the examination and allowance thereof; the determination of the legal heirs of said estate; assignment of the residue of said estate; and the discharge of said Administratrix.

It is Ordered, That the 1st day of February, A. D. 1954, at nine o'clock, in the forenoon, at said Probate Court in the Court House in the City of Pontiac, Michigan, be and is hereby appointed as the time and place for hearing said petition.

It is Further Ordered, that public notice thereof be given by publication of a copy of this order, once each week, for three successive weeks previous to said day of hearing, in The Clarkston News, a newspaper printed and circulated in said County, and that notice be given to the heirs-at-law named in the petition for administration filed in this cause, and to creditors whose claims have been allowed but not fully paid, by personal service of a copy of this order, or by serving the same by registered mail with return receipt demanded, addressed to their respective last known addresses as shown by the files and records in this cause.

ARTHUR E. MOORE, Judge of Probate ESTES & COONEY, Attorneys, 812 Pontiac State Bank Bldg., Pontiac, Michigan J 7-14-21-28

ESTES & COONEY, Attorneys, 812 Pontiac State Bank Bldg., Pontiac 15, Michigan

STATE OF MICHIGAN — The Probate Court for the County of Oakland. 62,390

At a session of said Court, held at the Probate Office in the City of Pontiac in said County on the 28th day of December, A. D. 1953.

Present: Hon. ARTHUR E. MOORE, Judge of Probate.

In the Matter of the Estate of Alice M. Stein, Deceased. Fred Stein having filed a petition praying that an instrument filed in said Court be admitted to Probate as the last will and testament of said deceased, and that administration of said estate be granted to Fred Stein, the Executor named in said will, or to some other suitable person.

It is Ordered, That the 1st day of February, A. D. 1954, at nine o'clock, in the forenoon, at said Probate Office, is hereby appointed for hearing said petition.

It is Further Ordered, That public notice thereof be given by publication of a copy hereof, once each week, for three successive weeks, previous to said day of hearing, in The Clarkston News, a newspaper printed and circulated in said County, and that probate cause a copy of this notice to be served personally or by registered mail, return receipt demanded, to each of the known heirs at law, legatees and devisees at their last known place of address at least ten days prior to said day of hearing.

ARTHUR E. MOORE, Judge of Probate ESTES & COONEY, Attorneys-at-Law 812 Pontiac State Bank Building, Pontiac, Michigan J 7-14-21-28

ESTES & COONEY, Attorneys, 812 Pontiac State Bank Building, Pontiac, Michigan

STATE OF MICHIGAN — The Probate Court for the County of Oakland. 53,446

At a session of said Court, held at the Probate Office in the City of Pontiac, in said County, on the 28th day of December, A. D. 1953.

Present: Hon. ARTHUR E. MOORE, Judge of Probate.

In the Matter of the Estate of Richard & Michael Hamberg, Mifflins. Laura A. Clauson, guardian of said estate having filed in said Court a petition, praying for license to sell at private sale the interest of said estate in certain real estate therein described.

It is Ordered, That the 1st day of February, 1954 at nine o'clock in the forenoon, at said Probate Office, be and is hereby appointed for hearing said petition, and that all persons interested in said estate appear before said Court, at said time and place, to show cause why a license to sell the interest of said estate be and is hereby appointed for hearing said petition.

Be First with a new kind of go! CHRYSLER 235 h.p. plus Powerlite Clarkston Motor Sales 32 S. Main Street Clarkston

It is Further Ordered, that public notice thereof be given by publication of a copy of this order, once each week, for three successive weeks previous to said day of hearing, in The Clarkston News, a newspaper printed and circulated in said County, and that notice be given to the heirs-at-law named in the petition for administration filed in this cause, and to creditors whose claims have been allowed but not fully paid, by personal service of a copy of this order, or by serving the same by registered mail with return receipt demanded, addressed to their respective last known addresses as shown by the files and records in this cause.

ARTHUR E. MOORE, Judge of Probate ESTES & COONEY, Attorneys, 812 Pontiac State Bank Bldg., Pontiac, Michigan J 7-14-21-28

ESTES & COONEY, Attorneys, 812 Pontiac State Bank Bldg., Pontiac, Michigan

STATE OF MICHIGAN — The Probate Court for the County of Oakland. 59,737

In the Matter of the Estate of Wilhelmina E. Moeller, Deceased. At a session of said Court, held at the Court House in the City of Pontiac, in said County on 28th day of December, A. D. 1953.

Present: Hon. ARTHUR E. MOORE, Judge of Probate. Viola M. Keasey, Administratrix of said estate having filed in said Court her Final Account and petition praying for the examination and allowance thereof; the determination of the legal heirs of said estate; assignment of the residue of said estate; and the discharge of said Administratrix.

It is Ordered, That the 1st day of February, A. D. 1954, at nine o'clock, in the forenoon, at said Probate Court in the Court House in the City of Pontiac, Michigan, be and is hereby appointed as the time and place for hearing said petition.

It is Further Ordered, that public notice thereof be given by publication of a copy of this order, once each week, for three successive weeks previous to said day of hearing, in The Clarkston News, a newspaper printed and circulated in said County, and that notice be given to the heirs-at-law named in the petition for administration filed in this cause, and to creditors whose claims have been allowed but not fully paid, by personal service of a copy of this order, or by serving the same by registered mail with return receipt demanded, addressed to their respective last known addresses as shown by the files and records in this cause.

ARTHUR E. MOORE, Judge of Probate ESTES & COONEY, Attorneys, 812 Pontiac State Bank Bldg., Pontiac, Michigan J 7-14-21-28

ESTES & COONEY, Attorneys, 812 Pontiac State Bank Bldg., Pontiac 15, Michigan

STATE OF MICHIGAN — The Probate Court for the County of Oakland. 62,390

At a session of said Court, held at the Probate Office in the City of Pontiac in said County on the 28th day of December, A. D. 1953.

Present: Hon. ARTHUR E. MOORE, Judge of Probate.

In the Matter of the Estate of Alice M. Stein, Deceased. Fred Stein having filed a petition praying that an instrument filed in said Court be admitted to Probate as the last will and testament of said deceased, and that administration of said estate be granted to Fred Stein, the Executor named in said will, or to some other suitable person.

It is Ordered, That the 1st day of February, A. D. 1954, at nine o'clock, in the forenoon, at said Probate Office, is hereby appointed for hearing said petition.

It is Further Ordered, That public notice thereof be given by publication of a copy hereof, once each week, for three successive weeks, previous to said day of hearing, in The Clarkston News, a newspaper printed and circulated in said County, and that probate cause a copy of this notice to be served personally or by registered mail, return receipt demanded, to each of the known heirs at law, legatees and devisees at their last known place of address at least ten days prior to said day of hearing.

ARTHUR E. MOORE, Judge of Probate ESTES & COONEY, Attorneys-at-Law 812 Pontiac State Bank Building, Pontiac, Michigan J 7-14-21-28

ESTES & COONEY, Attorneys, 812 Pontiac State Bank Building, Pontiac, Michigan

STATE OF MICHIGAN — The Probate Court for the County of Oakland. 53,446

At a session of said Court, held at the Probate Office in the City of Pontiac, in said County, on the 28th day of December, A. D. 1953.

Present: Hon. ARTHUR E. MOORE, Judge of Probate.

In the Matter of the Estate of Richard & Michael Hamberg, Mifflins. Laura A. Clauson, guardian of said estate having filed in said Court a petition, praying for license to sell at private sale the interest of said estate in certain real estate therein described.

It is Ordered, That the 1st day of February, 1954 at nine o'clock in the forenoon, at said Probate Office, be and is hereby appointed for hearing said petition, and that all persons interested in said estate appear before said Court, at said time and place, to show cause why a license to sell the interest of said estate be and is hereby appointed for hearing said petition.

ARTHUR E. MOORE, Judge of Probate ESTES & COONEY, Attorneys, 812 Pontiac State Bank Bldg., Pontiac, Michigan J 7-14-21-28

ESTES & COONEY, Attorneys, 812 Pontiac State Bank Bldg., Pontiac, Michigan

Custom Printing at its Best We do the entire job from linotype to bindery in our own shop. The Clarkston News MAple 5-4321

LIGHT, WARM AND ALWAYS WELCOME... an AUTOMATIC BED COVERING They're feather light—and one to a bed's all that's needed! It's old fashioned to smother under a muscle-numbing pile of bedding. Be feather warm—automatically! Dial the warmth you want, and there it stays regardless of room- or outside temperatures. SEE YOUR DEALER or Detroit Edison

SAVE \$ \$ \$

Birdseye Chicken Pies 2 for 75c

Starkist Tunafish 3 cans 99c

Northern Tissue 4 rolls 29c

Giant Fab 69c Medium Box FREE

Domino Cane Sugar 5 lbs. 48c

Heinz Catsup 2 bottles 45c

Sirloin Steak lb. 59c

Idaho Potatoes 10 lb. bag 49c

Kraft Velveeta Cheese 2 lbs. 89c

Yellow Onions 3 lb. bag 19c

Hekmans Lemon Creme Cookies lb. 29c

RUDY'S

9 SOUTH MAIN MA 5-2811

Church News

OUR LADY OF THE LAKES Rev. F. J. Delaney, Pastor Sunday masses at 7:00, 8:30, 10:30 A. M. and 12:00 noon. Confessions at the church on Saturday from 4 to 5 and 7:30 to 9 P. M. Holy hour every Thursday at 7:30 P. M., followed by confessions.

SASHABAW PRESBYTERIAN 5331 Maybee Road Reverend William Bos 10:00 A. M. Sunday School 11:00 A. M. Morning Worship. You are cordially invited to the services of this church.

FIRST BAPTIST CHURCH 3714 Sashabaw Road Drayton Plains Rev. James E. Taulbee, Pastor Church School 10:00 A. M. Morning Service 11:00 A. M. Youth Service 5:30 P. M. Public Prayer Service 7:00 P. M. Evening Worship Service 7:30 P. M. Mid-week Service, Wednesday, at 7:45 P. M. Youth for HIM, Saturday, 7:00 P. M.

WATERFORD COMMUNITY Andersonville Rd., near U. S. 10 Rev. Wright Van Plew, Pastor Elizabeth Jencks, Children's Worker Sundays Sunday School, 9:45 A. M. Worship, 11:00 A. M. Adult Service Junior Service Nursery Care for children under 7 Youth Hour, 6:15 P. M. Wednesday Evenings Family Bible and Prayer Hour, 7:30 P. M. Choir Rehearsal, 8:45 P. M.

ST. ANDREWS EPISCOPAL 4386 Dixie Hwy, Drayton Plains Rev. Waldo R. Hunt Minister-In-Charge 5845 Rowley Rd, Drayton Plains Phone OR 3-7074 8:00 A. M. Holy Communion 10:30 A. M. Church School; Pre-School; Morning Prayer and Sermon by the Vicar. (Holy Communion - First Sunday of each month)

DRAYTON PLAINS UNITED PRESBYTERIAN CHURCH Rev. W.J. Teuwissen, Jr., Pastor 9:45 A. M. Bible School. You need the inspiration of Bible study. 11 a. m. Worship service.

DAVISBURG METHODIST Rev. Marshall Saunders, Minister 10:00 Sunday School, Eleanor Eldred, Superintendent. A class for every age. You will be glad you came. 11:15 Service of Divine Worship.

MT. BETHEL METHODIST Rev. Marshall Saunders, Minister 10:00 Divine Worship. 11:15 Sunday School, superintendent, Earl Davis in charge. Plan on being there, there is a place for you.

CHRIST LUTHERAN CHURCH Rev. Arvid Anderson, Pastor 9:30 A. M. Sunday School with adult class 11:00 A. M. Morning Worship Sermon: "The Light of Christ in the Church"

FIRST CHURCH OF CHRIST, SCIENTIST Oxford, Michigan Sunday School 11:00 A. M. Sunday Service 11:00 A. M. Wednesday Evening Service 8:00 Reading Room at rear of Church, open Wednesday from 2 to 4 and 7 to 8 P. M.

That the inexhaustible resources of divine Love are available today to bless those who understand the unlimited good that God has provided for man will be brought out at Christian Science services Sunday. The Lesson-Sermon entitled "Love" includes the following verses from the Bible: "Consider the lilies how they grow; they toil not, they spin not; and yet I say unto you, that Solomon in all his glory was not arrayed like one of these. If then God so clothe the grass, which is today in the field, and tomorrow is cast into the oven; how much more will he clothe you, O ye of little faith? ... Fear not, little flock; for it is your Father's good pleasure to give you the kingdom" (Luke 12: 27, 28, 32).

From "Science and Health with Key to the Scriptures" by Mary Baker Eddy, the following correlative passage will be read: "Divine Love always has met and always will meet every human need" (494:10). The Golden Text is from Psalms: "The Lord is gracious, and full of compassion; ... The Lord is good to all: and his tender mercies are over all his works" (145: 8, 9).

FARM CROWD CITY IN SELF

If all the people in the city of Port Huron visited Michigan State College in one week the campus would be about as crowded as it will be next week for Farmers' Week, Feb. 1-5. Ralph Tenny, short course director who has supervised Farmers' Week operations for many years, expects more than 35,000 people at this 39th annual event. That's more than Sault Ste. Marie and Escanaba combined, more than Benton Harbor and St. Joseph combined, more than Mt. Clemens and Livonia combined and almost as many as Alpena, Cadillac and Traverse City combined. Some housing will be available on campus and the campus housing office, in the college administration building, has lists of East Lansing and Lansing homes with rooms for rent. Many hotels and motels are available but reservations should be made early.

NEWS LINERS

Accurate saw filing by machine, also skate sharpening. Bill Kelley, 5050 White Lake Road. tlc Wanted—washings, pick-up and delivery. Phone MAple 5-6708. 22p4

Buyer with cash for acreage, lots and land contracts. Edw. P. Sugar, phone ORlando 3-2926 before 10:00 A. M. 22c

For Sale—3 piece bedroom suite - bed, mattress, springs, chest and vanity, walnut, modern, \$50.00. Phone MAple 5-7041. 22c

Wanted—baby sitting days by middle-aged mother, my home or yours, 25c per hour or \$8 per week. Phone MAple 5-7700. 22c

UNUSUAL OPPORTUNITY offers \$30 to \$50 weekly spare time—\$100 or more full time. Man appointed now can work in-to district supervisor position paying \$11,000 per year and up. Product well advertised and accepted liquid fertilizer backed by written guarantee. Little traveling - home nights - but car is essential. Write to: "Na-Churs", 210 W Monroe Street, Marion, Ohio. 22c3

More IRON LUNGS IN USE '53 THAN EVER BEFORE MARCH OF DIMES IT WILL TAKE MORE IN '54! January 2 to 31

REGISTRATION DAY

FOR VILLAGE ELECTION Monday, March 8th, 1954 To the Qualified Electors of the Village of Clarkston, County of Oakland, State of Michigan. Notice is hereby given that in conformity with the "Michigan Election Law, I, the undersigned Village Clerk will, upon any day, except Sunday and a legal holiday, the day of any regular or special election or primary election, receive for registration the name of any person who possesses the qualifications of an elector in said Village not already registered who may apply to me personally for such registration. Provided however, that I can receive no names for registration during the time intervening between the THIRTIETH DAY before any regular, special, or official primary election and the day of such election. (If the 30th day shall fall on Saturday, Sunday, or a legal holiday registrations shall be accepted during the next full working day.) NOTICE IS HEREBY GIVEN THAT I WILL BE AT The Village Hall on,

Saturday, Feb. 6th

1954, the 30th day preceding said election from 1:00 P. M. until 5:00 p. m. on said day for the purpose of reviewing the registration and registering such of the qualified persons in said Village as shall properly apply therefor. In any village in which the clerk does not maintain regular daily office hours, the village council of such village may require that the clerk of such village shall be at his office or other designated place for the purpose of receiving applications for registration, on such other days as it shall designate prior to the last day for registration, not exceeding five days in all. Notice is hereby further given that I will be at 15 Miller Road, in said village, the 1st of Feb, 1954, from 1 o'clock p. m. to 9 o'clock, p. m. and the 8th day of Feb., 1954, from 7 o'clock, p. m. to 9 o'clock, p. m. The name of no person but an ACTUAL Resident of the village at the time of said registration and entitled under the Constitution, if remaining such resident, to vote at the next election shall be entered in the registration records. All the provisions relative to registration in Townships and cities shall apply and be in force as to registrations in villages. RALPH THAYER, Village Clerk Dated: Jan. 25, 1954

Get a TRANSISTOR Hearing Aid demonstration in your home FREE. Phone MAple 5-2511, O'DELL DRUG. Batteries, Cords, Repairs, etc. 20c13

For Sale—1st and 2nd cuttings baled hay. Hal Brown, Flemings Lake Rd., phone MA ple 5-3501. 4tkc

BEAUTY COUNSELOR products are for particular people. Make an appointment now for a free presentation. Your Beauty Counselor Representative's phone no. is OR lando 3-8033. 21p4

For Sale—mahogany bedroom furniture; wing chair; wrought iron table with plate glass top and four chairs. Phone MAple 5-2981. 16tkc

FOR PROMPT DEAD STOCK REMOVABLE phone collect to DARLING AND COMPANY, MILWAUKEE, WIS. 20c

Wanted to Buy—a house between Clarkston and Waterford. Phone MAple 5-3696. 20c

For Sale—Apples, most varieties left; honey and cider. Waterford Hill Farm, drive in, 5941 Dixie Hwy, phone OR 3-9711. 20c4

Wanted—sewing, drapes and men's alterations a specialty. Phone MA ple 5-3781. 3tkc

MONUMENTS & MARKERS At price you can afford to pay. MILFORD GRANITE WORKS MILFORD, MICH.

Road gravel, washed sand and gravel, black dirt, bull dozing and landscaping. Phone MA 5-4899. 32tkc

For service on any Refrigerator, call Solley Refrigeration. Phone MA 5-4477. 30tkc

Make Old Floors Look Like New

Make your old floors glisten like new. We rent floor sanders and supply materials. MILLER and BEARDSLEE LUMBER COMPANY MA ple 5-2311 CLARKSTON

NOTICE OF SPECIAL ELECTION TO THE QUALIFIED ELECTORS OF THE CLARKSTON COMMUNITY SCHOOL DISTRICT, OAKLAND COUNTY, MICHIGAN

NOTICE IS HEREBY GIVEN, that a special meeting of the electors of the Clarkston Community School District, in the County of Oakland, and State of Michigan, will be held in the elementary school building in the Village of Clarkston, Michigan, on Tuesday, the 2nd day of February, 1954, at 8:00 o'clock A. M., Eastern Standard time, to vote upon the following propositions: (a) Shall the Clarkston Community School District, County of Oakland, State of Michigan, borrow the sum of not to exceed Six Hundred Thousand Dollars (\$600,000) and issue its bonds therefor, for the purpose of defraying the cost of erecting and furnishing an addition to each of the three elementary school buildings and an addition to the high school building, in said school district? (b) Shall the limitation on the total amount of taxes which may be assessed each year against property in the Clarkston Community School District, County of Oakland, State of Michigan, for all purposes except taxes for the payment of interest and principal on obligations incurred prior to December 8, 1932, be increased as provided in Section 21 of Article X of the Constitution of Michigan, for a period of twenty (20) years from 1954 to 1973, both inclusive, by 1% (\$10.00 per \$1,000) of the assessed valuation as equalized, for the purpose of paying principal and interest on bonds aggregating not to exceed \$600,000 in principal amount to defray the cost of erecting and furnishing an addition to each of the three elementary school buildings and an addition to the high school building, in said school district, and for the purpose of establishing a reserve for the payment of said principal and interest, with the provision that if in any year it shall not be necessary to levy all of such increase for the above purposes under the terms of the bond contract, then any surplus taxing power may be used to raise money for the building and site fund? NOTICE IS FURTHER GIVEN, that polls for said meeting will be open from 8:00 o'clock A. M. to 8:00 o'clock P. M., Eastern Standard Time. NOTICE IS FURTHER GIVEN, that the Board of Education of said school district has estimated that Six Hundred Thousand Dollars (\$600,000) is the amount of money necessary to be borrowed for the project for which said bonds are to be issued. The following statement has been received from the County Treasurer as to previously voted increases in the total tax rate limitation affecting taxable property in the school district, to wit: I, Charles A. Sparks, County Treasurer of the County of Oakland, State of Michigan, do hereby certify that according to the records in my office, as of January 21, 1954, the total of all voted increases in the tax rate limitation above the 15 mills established by Section 21 of Article X of the Michigan Constitution, affecting taxable property in the Clarkston Community School District in said county, is as follows:

Local Unit	Voted Increases	Years Effective
Clarkston Community School	6 mills	1951 thru 1970
Clarkston Community School	1 mill	1951 thru 1970
Clarkston Community School	3 mills	1951 thru 1970

School District No. 1 of the Township of Independence (now a part of the Clarkston Community School District) 15 mills 1949 thru 1968

Charles A. Sparks, Oakland County Treasurer
Lloyd M. Sibley, Chief Deputy Treasurer

Dated: January 21, 1954
This notice is given by order of the Board of Education of said school district.
Walton T. Robbins, Secretary of the Board of Education of said school district

Dated: January 21, 1954

High powered sanders, edgers, hand sanders, sump-pumps for rent. WATERFORD HARDWARE, TELEVISION, OR lando 3-2526.

Sleeping rooms, by the week, at the Caribou Inn, Clarkston. 34tkc

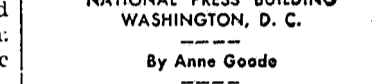
Bull-dozing, sand, gravel, fill-dirt. Head Bros. ORlando 3-2584. 29tkc

For Sale—Hay, straw, corn and wood. All kinds of tractor work wanted. MA ple 5-3502 tkc

Wanted—ironings and baby sitting in my home. Phone MAple 5-2476. 19c4

Costume Jewelry, Imported China, Reproduction of Early American Glass and Lamps. Many outstanding gift items. Cards and Gift Wrapping. HANDCRAFT HOUSE, 5775 Dixie Hwy, in Waterford. 43tkc

Furniture bought and sold—one piece or a house full-for cash. Attend our weekly Auction, every Friday evening. B. & B. Auction Sales, 5089 Dixie Highway, Phone ORlando 3-2717. Waterford. 30tkc



NATIONAL PRESS BUILDING WASHINGTON, D. C. By Anne Goode

Unexpected guests will never pose a problem if there's canned chicken and asparagus on the emergency shelf. Cream chicken, using chicken broth and milk for the sauce. For a deluxe dish, blend 1/4 cup real mayonnaise into the sauce and add diced pimiento.

Pastels take on importance at this time of year. You can bring your wardrobe up to date by tinting your white wool jersey and nylon blouses which are often yellowish by now. With all-purpose dye, make a lukewarm dye bath of your favorite pastel color. For sure success, follow directions on the box.

An adequate intake of vitamin C, found in citrus fruits, will help your family ward off winter colds. Combine 1/2 cup sugar with 1/2 cup flour, 1/2 cup quick oats and 2 tbs. margarine. Sprinkle over 1/2 inch thick orange slices. Broil under moderate flame until crumbs are brown. Umm! Delicious.

There will be a brighter look around your house if you clean your electric bulbs. And gilt picture and mirror frames shine when rubbed with a vinegar-dampened cloth.

Remember YOUR HOME NEWSPAPER

All matters handled through the Probate Court require a certain amount of legal publication in one of the county papers. Foreclosing a mortgage entails publication of the foreclosure notice in a county paper.

Either the probate court officers or your attorney will have your legal publication carried in The Clarkston News if you request it.

We solicit the privilege of carrying such legal publications. This form of advertising is valuable to us. When you support us in this way we are able to give you a better paper each week.

The Clarkston News

Clarkston Locals

Pfc. John F. Touscany, son of Mr. and Mrs. Ronald F. Touscany of 6161 Middle Lake Road, Clarkston recently participated in the largest firing exercise held by the artillery regiment of the 3rd Marine Division since its arrival in Japan. The Fuji-McNair combat range, used during World War II as a training area by the Japanese Imperial Army, was the scene of the big shoot. The exercise included a regimental time-on-target problem in which the Leatherneck cannonners massed their fire on one target, timed so precisely that every round exploded in the impact area simultaneously. The 3rd Marine Division is deployed

throughout Central Honshu, with the 12th Marines (Artillery Regiment) stationed at Camp McNair, on the slopes of Fujiyama, Japan's sacred mountain.

Born to Mr. and Mrs. Carl Bates of 4880 Sashabaw Road, a 6 lb son, James Carl, on Monday, January 18th, at the Pontiac General Hospital. Grandparents are Mr. and Mrs. Glenn Boner of Clarkston.

Mr. and Mrs. Jack Lawrence are announcing the birth of a 7 lb 6 oz son, Benny Wayne, on January 20th, at St. Joseph's Mercy Hospital in Pontiac. Grandparents are Mr. and Mrs. Ben M. Powell of Clarkston and Mr. and Mrs. Floyd Lawrence of Waterford.

By The Way . . .

Sometimes you buy something new and it gives you a "lift". Ask the ladies. So, this week The Clarkston News (the paper itself, we mean) is coming to you with a brand new face of type for better reading. It is our hope, in this manner, to gradually improve the paper for the enjoyment of all. We hope you like it.

Bowling Scores

CLARKSTON MEN'S LEAGUE			
Team	W	L	P
Lowrie Dairy	34.5	16.5	47.5
Caribou Inn	33.5	17.5	46.5
Clarkston Coal-Oil	32	19	43
Gardiner Mills	24	27	32
Miller & Beardslee	23	28	31
Tally-Ho Bar	25	26	30
Clarkston Cafe	21	30	28

RITA'S BEAUTY SHOP

33 Miller Road, Clarkston
 Permanents from \$5 up including hair conditioning treatment
 Cold Wave \$8.50 to \$10.00
 Shampoo & Wave \$1.00
 Call MAple 5-4466
 For appointment

French Vanilla "Home Maid" Ice Cream

TO TAKE HOME PACKAGE
 PINT 29c
 1/2 GAL 95c
 HAND PACKED
 PINT 39c
 QUART 75c
DIXIE SPOT
 Dixie Hwy. at M-15

Crispy Rarebit Is New Taste Treat



A piping hot rarebit, served with a tossed greens salad and crackers as crisp as winter weather, is an ideal mid-winter luncheon treat for all the family. Here's one that is as tasty and nutritious as it is inexpensive. Since it can be made quickly and easily, it's also a welcome timesaver for busy homemakers who must plan luncheon menus for hearty wintertime appetites.

- Crispy Rarebit**
 2 tablespoons butter or margarine
 2 tablespoons finely chopped onion
 1 (10 1/2 oz.) can tomato soup
 1 1/4 cups grated cheddar cheese
 1 egg
 1/2 teaspoon Worcestershire sauce
 16 Krispy crackers

Melt butter or margarine. Add onion and cook until tender but not browned. Stir in soup and cook, stirring constantly, until soup comes to a boil. Add cheese and continue to stir until cheese melts. Beat egg until bubbly. Pour small amount of cheese mixture into egg and return to rest of mixture. Cook, stirring constantly, for 2 minutes longer. Stir in Worcestershire sauce and serve over crackers, allowing 4 to each serving. Garnish with thin slices of stuffed olive and tiny sprigs of parsley. Makes 4 servings.

CLARKSTON WOMEN'S BOWLING LEAGUE		
Jan. 20, 1954		
Howe's Lanes	37	23
Huttenlocher Ins.	36	24
Clarkston St. Bank	35.5	25.5
Porritt Dairy	32.5	27.5
Hawk Tool & Eng.	29.5	30.5
Beattie Motor Sales	24	36
Powell's Market	26	34
Pringle Chev.-Olds	19.5	40.5
INDIVIDUAL SINGLE		
E. Smith	227	
INDIVIDUAL SERIES		
E. Smith	575	
TEAM HIGH SINGLE		
Huttenlocher Insurance	943	
TEAM SERIES		
Huttenlocher Insurance	2647	
DIXIE ALL-STAR LEAGUE		
Hartz Springs	34.5	22.5
Howe's Lanes	32	25
Thendara Golf	32	25
Howe's Market	30.5	26.5
Standard Oil	29.5	27.5
Davisburg Hdw.	25	32
Phillip's Gun	25.5	31.5
Berg Cleaners	19	38
INDIVIDUAL SINGLE		
L. Shults	248	
INDIVIDUAL SERIES		
R. Jarvis	586	
TEAM HIGH SINGLE		
Hartz Springs	964	
TEAM HIGH SERIES		
Hartz Springs	2691	
TRI-CITY LEAGUE		
Jan. 19, 1954		
Kelley's Hardware	41.5	18.5
K & B Cafe	36.5	23.5
Clark's Standard	32	28
Clintonville Groc.	32	28
Pringle Chev.-Olds	26	34
Averill Auto Sales	26	34
Johnson-Anderson	24	36
Hanson Plastering	22	38
INDIVIDUAL SINGLE		
L. Skaggs	247	
INDIVIDUAL SERIES		
L. Skaggs	623	
TEAM HIGH SINGLE		
Averill Auto Sales	982	
TEAM HIGH SERIES		
Averill Auto Sales	2748	
HOWE'S LANES COMMUNITY LEAGUE		
Jan. 20, 1954		
Waterford Market	51	29
Rudy's Market	47.5	32.5
Lytell & Colegrove	46	34
Lamberton Service	46	34
Lotan's Service	45.5	34.5
Airway Products	37.5	42.5
Richardson Farm Dairy	25	55
Gidley Electric	21.5	58.5
INDIVIDUAL SINGLE		
B. Riksen	215	
INDIVIDUAL SERIES		
H. Proksch	576	

TEAM HIGH SINGLE	
Rudy's Market	934
TEAM HIGH SERIES	
Gidley Electric	2634
WATERFORD MERCHANTS (Blue Division)	
Jan. 19, 1954	
Waterford Market	36
Rask Collision	32.5
Sportsmen's Inn	33
Waterford Hotel	26
Gidley Electric	26
Waterford Hdw.	25.5
Head's Barber Shop	25
Community Act.	24
INDIVIDUAL SINGLE	
G. Gohl	233
INDIVIDUAL SERIES	
H. Baker	599

OAKLAND Theatre PONTIAC

Starting Friday, Jan. 29th
 This is the great adventure of India in CinemaScope
 You see it without glasses
King Of The Khyber Rifles
 Color by Technicolor deluxe
 Starring Tyrone Power and Terry Moore

Motor Wise

WHY? WHY? WHY?
 Why not let us pick up YOUR car—change the oil, lubricate and wash it, tune up—and deliver a car you will enjoy driving.
BEACH'S Standard Service
 AAA Service MA 5-5731
 US 10 at M-15

DRY Cleaning
 MODERN Efficient
BERG CLEANERS
 6700 Dixie Hwy. Ph. MAple 5-3521

TEAM HIGH SINGLE	Dixie Floral	30.5	26.5	42.5	INDIVIDUAL SINGLE	D. Lamberton	267
Waterford Market	Leo & Joe's	31.5	25.5	41.5	INDIVIDUAL SERIES	D. Lamberton	651
TEAM HIGH SERIES	Dixie Welding	31	26	41	TEAM HIGH SINGLE	Lamberton's Service	946
Waterford Market	Jacobson's Market	29	28	39	TEAM HIGH SERIES	Jacobson's Market	2763
WATERFORD MERCHANTS (Red Division)	Lamberton Service	29	28	39			
Jan. 21, 1954	Old Mill Tavern	27	30	37			
Froling's Upholstering	Beattie Motor Sales	18	39	20			

Powell's Village Market

Phone MAple 5-2711

4 S. Main St.

- Dinner Time Coffee all purpose lb. 79c
- Butter lb. 68c
- Michigan Potatoes peck 33c
- Choice Pot Roast lb. 49c
- Sliced Bacon lb. 57c
- Fresh Ground Beef 3 lbs. 1.00

FRESH DRESSED Poultry Rabbits

Clarkston Dairy Bar

is now Open Sundays from 10 a.m. - 8 p.m.

Featuring:

- 1/2 Fried Chicken,
- Fish, Chops, Steaks
- A Real Home Cooked Meal

We proudly Serve SWIFT'S ICE CREAM

All Popular Flavors

Grocery SPECIALS

- Beef Pot Roast choice grade lb. 49c
- Bananas golden ripe 2 lbs. 29c
- Frozen Peas Birdseye 2 pkgs. 33c
- Tomatoes red ripe 2 pkgs. 45c
- CRISCO 3 lb. can 79c
- Pork Chops end cuts lb. 47c
- Gold Medal Flour 25 lbs. 1.98
- Butter Remus lb. 68c
- PINEAPPLE, sliced large 2 1/2 can 35c
- Carrots 3 bun. 29c

Terry's Market

"Your Complete Food Market"

MAple 5-4341

Clarkston

BUY A USED CAR WITH THIS TAG—and you'll buy with NEW-CAR CONFIDENCE!

This is an **OK USED CAR**

6 ways better

- Thoroughly Inspected
- Reconditioned for Safety
- Reconditioned for Performance
- Reconditioned for Value
- Honestly Described

warranted in writing!

AUTHORIZED CHEVROLET DEALER
DON PRINGLE CHEVROLET, INC.
 MAple 5-5071 Chevrolet and Oldsmobile Clarkston