

VOTERS APPROVE \$600,000 SCHOOL BOND ISSUE

Scout Program At P. T. A. Meeting
The Clarkston P. T. A. meeting will be held on Thursday evening, February 11, with the Scouts having charge of the program.

NOTICE
The executive board of the Woman's Society of Christian Service of the Methodist Church will meet in the church parlors on Tuesday, February 9th, at 10:00 A. M.

Brownie News
Brownie Troop No. 194 met at the home of their leader, Mrs. Howard Kieft.

God's Thoroughfare
A little thought I'd like to leave With those of you who can believe,

Through inspiration, man will find
A giant lurking in his mind That answers to sincere appeal.

Yet! Who can tell where talent lies?
Who has perceived it with his eyes? Who can describe its shape or form,

To fill his life with happiness.
'Tis true that we may find some aid By taking paths another's made.

Through paths uncharted he will find,
As driven by a master mind, To bring to all some blessing rare

Holly Theatre
The Friendly Playhouse
Air-Conditioned

Thurs. Fri. Sat. Feb. 4-5-6
2 - BIG FEATURES - 2
Gig Young, Jean Hagen in ARENA in color

Sun. Mon. Tues. Feb. 7-8-9
Kathryn Grayson, Howard Keel, Ann Miller in KISS ME KATE in Technicolor

ON OUR NEW RADIANT WIDE SCREEN AS IT WAS MEANT TO BE!

Clarkston Wolves Trim Milford
The Clarkston High School basketball team traveled to Milford on Tuesday evening of last week to play the first place Redskins.

Friends Gather For Surprise Party
On Thursday evening of last week Mrs. Fred Warrick honored her husband at a surprise birthday celebration.

Royal Neighbors Meet Feb. 10th
The Clarkston Royal Neighbors will meet at the home of Mrs. Opal Beach on Wednesday, February 10th.

Clarkston Local
The friends of Wilma Doelber will be sorry to learn that she is still confined to Pontiac General Hospital.

Mrs. Henry DeVar Hostess To Meeting
The January meeting of the Ladies' Auxiliary of the Clarkston Baptist Church was held at the home of Mrs. Henry DeVar.

Hinz Family Making Recovery
Word has been received from the Allan Hinz family who were injured in an accident near Cleveland, Tenn.

Clarkston Local
The friends of Wilma Doelber will be sorry to learn that she is still confined to Pontiac General Hospital.

Have You Forgotten Korean Children?
Hope you haven't forgotten a donation of some of the articles that the local Sea Scouts asked for.

Clarkston Local
The friends of Wilma Doelber will be sorry to learn that she is still confined to Pontiac General Hospital.

Phone Co., Gives To School Fund
The Michigan Bell Telephone Company again last year was the largest single contributor to the State Primary School Fund.

Clarkston Local
The friends of Wilma Doelber will be sorry to learn that she is still confined to Pontiac General Hospital.

Cub Scout Banquet Next Thursday
The Cub Scouts and their parents are asked to keep the evening of February 11th for the annual Blue and Gold Banquet.

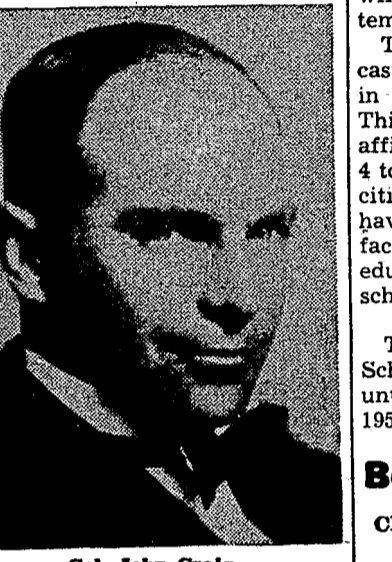
Clarkston Local
The friends of Wilma Doelber will be sorry to learn that she is still confined to Pontiac General Hospital.

'Atoms and Atolls' Next Tuesday Eve
Over 500 persons were on hand at the 3rd travel-adventure program which was held last month.

Clarkston Local
The friends of Wilma Doelber will be sorry to learn that she is still confined to Pontiac General Hospital.

539 electors went to the election polls in the Clarkston Elementary school and voted as follows: Tax Limitation: Yes 438; No 105; Void 1. Total votes cast 539.

Clarkston Local
The friends of Wilma Doelber will be sorry to learn that she is still confined to Pontiac General Hospital.



Township High School Auditorium. This travelogue, 'Atoms and Atolls', is an adventure into time, depicting man's endeavor to gain knowledge and comprehension from his atomic experiments.

CLARKSTON MEN'S LEAGUE Bowling Scores table with columns for Team, W, L, P and scores for various teams like Caribou Inn, Lowrie's Dairy, etc.

CLARKSTON WOMEN'S BOWLING LEAGUE Bowling Scores table with columns for Team, W, L, P and scores for various teams like Howe's Lanes, Huttenlocher Ins., etc.

DIXIE ALL-STAR LEAGUE Bowling Scores table with columns for Team, W, L, P and scores for various teams like Hartz Springs, Howe's Lanes, etc.

TRI-CITY LEAGUE Bowling Scores table with columns for Team, W, L, P and scores for various teams like Kelley's Hardware, K & B Cafe, etc.

Church News
CLARKSTON METHODIST Rev. Robert M. Atkins, Pastor
9:45 A. M. Church School. William Mansfield, Superintendent.

CLARKSTON BAPTIST Rev. George Halk, Pastor
10:00 A. M. Sunday School for all ages.

(continued on page 5)

The Grist Mill by Ed Glehin
County Agricultural Agent
Now that farm folks have completed their year's summary for income tax purposes, it is a good time to look back on the year to see just what was done that might be improved to make a little better net profit in 1954.

Clarkston Local
The friends of Wilma Doelber will be sorry to learn that she is still confined to Pontiac General Hospital.

Clarkston Local
The friends of Wilma Doelber will be sorry to learn that she is still confined to Pontiac General Hospital.

Rabies Clinics Open Sunday
Final details for Sunday's non-profit rabies vaccination clinics were announced today by Dr. John D. Monroe, M. D., Oakland County Health Director.

Clarkston Local
The friends of Wilma Doelber will be sorry to learn that she is still confined to Pontiac General Hospital.

Clarkston Local
The friends of Wilma Doelber will be sorry to learn that she is still confined to Pontiac General Hospital.

Clarkston Local
The friends of Wilma Doelber will be sorry to learn that she is still confined to Pontiac General Hospital.

Waterford

Mrs. Jack Hall, Correspondent

Pvt. Jack Emery who has been at Camp Kilmer, N. J., awaiting overseas orders, left there two weeks ago Saturday and he has landed in Germany.

The Robert Maternas, accompanied by her sister, Donna Wall and a friend, spent the weekend at their cabin at Platte Lake. They reported a great deal of snow there making it necessary to walk a distance to their cabin.

Reverend Wright VanPlew has been in Chicago this week and will be home Friday. He spoke Sunday evening at the Grace Bible Church in Elmhurst, Ill., during their annual celebration. He was the pastor at that church before coming to Waterford. While in Chicago he visited his parents, Mr. and Mrs. J. VanPlew and also Mr. and Mrs. Charles Robinson, Mrs. VanPlew's parents.

Mrs. George Kimball, Jr., who has been getting along nicely following a recent operation had a serious setback on Monday afternoon when she fell in her home. She was taken to the hospital where x-rays showed a fractured hip.

Neal Schultz, son of Mr. and Mrs. Frank Schultz, left last week to begin his basic training at the Sampson Air Base at Geneva, N. Y.

Mrs. Henri Buck has returned to her home on Andersonville Rd., following an extended visit in Stratford, N. J., where she spent the holidays with the Emerson Mitchells.

Mrs. Nellie King has returned from Ft. Lauderdale, Fla., and is now at the home of her sister-in-law, Mrs. Irving King.

Word received from Airman Don Helman who is now serving

in England, tells of an enjoyable 5 days spent at the home of cousins of Mrs. David Mehler in Liverpool. While visiting these people he attended a rugby game and also a performance of the opera "Carmen".

The semi-annual membership meeting of the Community Activities Inc., will be held at 8 o'clock Wednesday evening, Feb. 10th, at the club house. At this time seven new board members will be elected, as well as a president and other officers of the organization.

The Good Will Club met last Thursday at the home of Mrs. Alvin Austin in Pontiac. A yearly report on the work of the club was read and election of officers was held with Mrs. Henry Mehler re-elected president. Vice-president is Mrs. Oscar Virgin and Mrs. J. L. Blakeslee was again made secretary-treasurer. Mrs. Henri Buck and Mrs. Lyman Girst make up the Flower Committee and Mrs. Victor Lindquist is program chairman. Mrs. Bessie Gilmore of Rochester was a guest for the day. The February meeting will be held at the Caribou Inn in Clarkston with Mrs. Percy King as hostess.

The Waterford Moms will hold their meeting on February 10th at the home of Mrs. James Saylor, instead of at the Legion Hall as previously announced.

The Adult Bible Class of the Waterford Community Church will meet Tuesday, February 9th at 7:30 P. M. at the Charles Maxwell home. Roll call will be answered by a verse from the Bible containing the word "gift". Co-hostesses will be Mrs. Fred Bruske and Mrs. Lawrence Giddings.

Twenty members of the Gospel Fellowship Class of the Community Church met last Tuesday at the home of Mr. and Mrs. Neil MacLarty on Exmoor Street. Plans were made for a work bee

at the church on February 23rd. They also voted to turn the money they have been collecting over to the organ fund, due to the generous gift of a grand piano from Mr. and Mrs. Robert Gfahgar. Esther Banghart is the class president.

NEWS AND COMMENT

BY CONGRESSMAN GEO. DONDERO CASH BUDGET TO SHOW SURPLUS

Congressman George A. Dondero commented this week on budget figures disclosed by the United States Treasury. These figures show the fiscal position of the Federal Government to be far more favorable than the public has been led to believe.

"In the Government fiscal year, which starts next July 1st", said Congressman Dondero, "the Government will have a total cash income approximately \$115,000,000 in excess of total expenditures for the year."

"At the same time, according to present estimates, the budget will show a net deficit of approximately \$2.9 billion. The apparent discrepancy, however, is easily explained.

"Total cash income includes tax collections which are allocated to various revolving funds operated by Government agencies and to the trust funds which are maintained in order to meet certain obligations which cannot be determined in advance.

"Money used for farm crop loans by the Commodity Credit Corporation, of the Department of Agriculture, comes from one of the revolving funds", Congressman Dondero said. "So is the money loaned by the Federal Home Loan Bank, and the Federal National Mortgage Association.

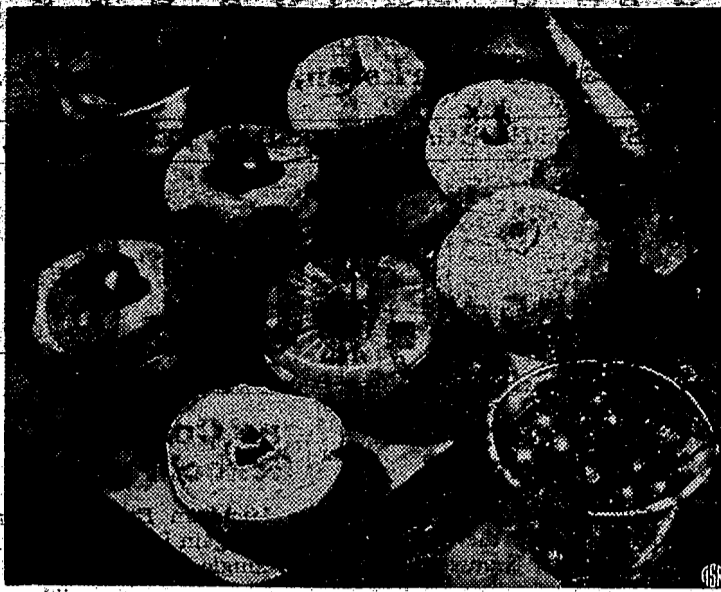
"Money paid out in Social Security benefits comes from the Social Security Trust Fund, which contains money collected in Social Security taxes. In the same way, Railroad Retirement benefits are paid out of the Railroad Retirement Trust Fund, which contains money paid by railroad workers.

"It is obvious, of course", Congressman Dondero commented, "that it is only prudent to put the taxes collected for payment of benefits into trust funds, even though this money may not have to be paid out for many years to come.

"It is obvious, too, that money put into revolving funds is not money spent. It is merely money allocated for loaning purposes. It is eventually paid back, and usually with a profit to the Federal Government.

"Thus it happens, when trust funds and revolving funds are disregarded, that the 'conventional' budget, as distinguished from the 'cash' budget, will show a deficit probably approximating \$2.9 billion. At the same time, the 'cash' budget will show a surplus of something like \$115,000,000.

Doughnut Fruit Burgers



When your little folks need an energizing mid-morning snack, give them Doughnut Fruit Burgers to go with their milk. They're colorful, fun to eat, and a tasty supplement to milk. And children will like the taste of powdered sugar coated doughnuts with pineapple. These are the cake quality doughnuts made from a cook book recipe which you get from your grocer's ready-to-eat cake department.

Make Doughnut Fruit Burgers by placing a well-drained slice of pineapple between doughnut halves. Top with a stemmed maraschino cherry, if desired. Give them to children as an after-school snack, too, and serve them as a dinner dessert with warm pineapple sauce, or a tart cherry sauce. Make some today for the kiddies' between-meal pickup, and for luncheon or dinner dessert with cherry sauce.

Cherry Sauce

- 1 cup sugar
- 1/2 cup butter
- 1 tablespoon cornstarch
- 1/2 cup water
- 1/2 cup cherry juice

Cream the sugar and butter. Add cornstarch and liquid, and cook over hot water until thickened, stirring constantly. Add chopped cherries, if desired. Cool, and serve over Doughnut Pineapple Burgers.

"But these things are unimportant", Congressman Dondero pointed out, "when they are compared with the rapid progress toward a balanced 'conventional' budget being made by Congress and the Administration.

showed a deficit of \$9.4 billion. The 1954 budget will show a deficit of only about \$3.2 billion on next June 30, the end of the fiscal year. The 1955 budget is expected to show a deficit of about \$2.9 billion, and the 1956 budget is pretty certain to be in balance.

"All of this has been accomplished", Congressman Dondero concluded, "in spite of the fact that Government commitments, made prior to 1953, have kept Government spending to meet its obligations at high levels."

MICHIGAN WOLVES, FOUR-LEGGED KIND, ARE DISAPPEARING

Michigan wolves—at least the four-legged kind—are disappearing rapidly!

According to Prof. Warren W. Chase, chairman of the University of Michigan wildlife management department, "there are, approximately, only six wolf families in Michigan's Upper Peninsula, with none known in the lower."

This small population is scattered over seven counties: Gogebic, Iron, Ontonagon, Schoolcraft, Chippewa, Luce and Alger. In addition, there are a couple believed living on Isle Royal.

Professor Chase points out that the average litter of wolves is seven pups, which gives an average annual birth rate of only about 40 for the state. Almost this same number is lost annually—a few through accidents and disease, but more through the bounty system and hunting.

One of the first ten laws passed by Michigan, the bounty pays \$15 for each male wolf and \$20 for each female. Since passed in

1838, the law has caused over \$161,510 to be paid out.

During the last 15 years Prof. Chase states, an average of 31 wolves have been bountied each year, the record being 100 in 1921. Twenty-seven were turned in for 1951-52, he adds, "giving evidence of the rapidly decreasing population."

"Wilderness animals, wolves will wander over a 50 to 70 square-mile area in one winter", he says, "and in some years a lack of food will force them to cover up to 200 square miles."

Contrary to popular belief, these wolves are not great predators, the professor declares, "as evidenced by the annual increase in the deer herd." From 1932 to 1938, some 238 dead deer were

autopsied. Of these, "only 13 per cent of the deaths were attributable to wolf predation", he explains.

North American records show only one authentic attack by wolves on a human being. Professor Chase attributes this partly to the fact that "American wolves do not run in large packs, such as do the European ones."

The Clarkston News

Published every Thursday at 6188 S. Main Street, Clarkston, Michigan. William H. Stamp, Publisher. Subscription price \$2.00 per year, in advance.

Entered as second-class matter, September 4, 1931, at the Post Office at Clarkston, Michigan, under the Act of March 3, 1879. Phone MA 5-4321

Watches — Bands
Bracelets
Watch Repairing
Drayton JEWELERS
4524 DIXIE HIGHWAY
Phone OR 3-7362
DRAYTON PLAINS

"GET MOST COMPLETE PROTECTION FOR YOUR AUTO-INSURANCE DOLLARS"

SALE: ROBERT C. BEATTIE
No other policy gives you more complete protection than our famous Blue Ribbons Auto Insurance.

- You also get:
- 1 Cash dividend savings
 - 2 Protection everywhere you drive
 - 3 Fair, prompt claim payments

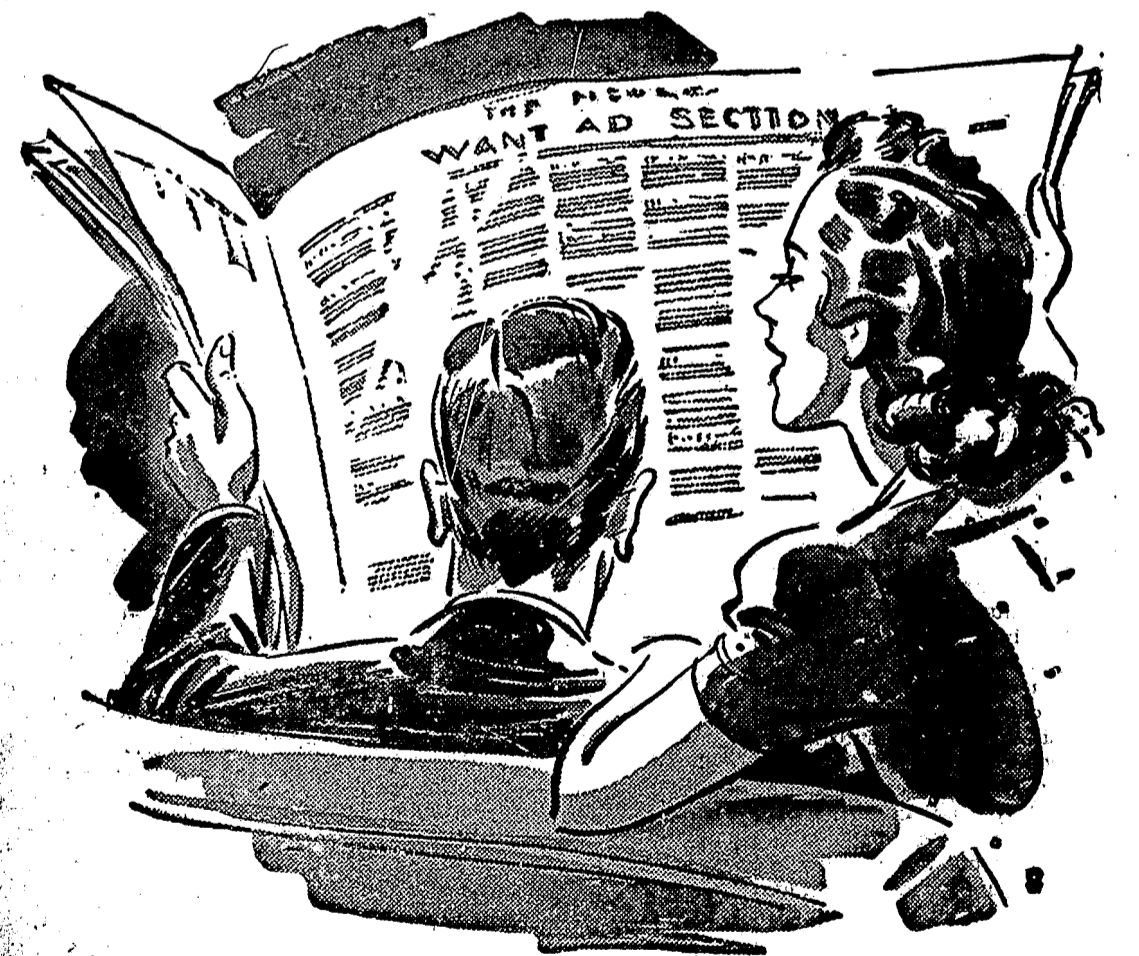
CALL OR WRITE
Robert C. Beattie
Phone ORlando 3-1925
Waterford, Michigan

Hallmark Valentines

SUNDAY, FEB. 14

Mojud Hosiery . . . For The Ladies
Many Nice Gifts . . . For The Men

GREEN'S Men's Wear
(Next To Pontiac State Bank)
PHONE OR 3-1807
DRAYTON PLAINS, MICH.
PLENTY OF FREE PARKING IN THE BACK

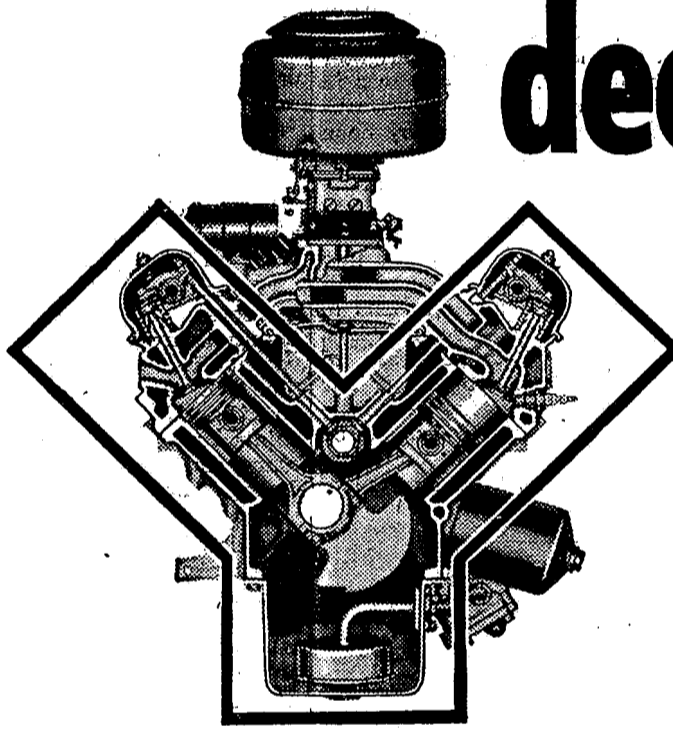


News Liners Bring Results

Try One

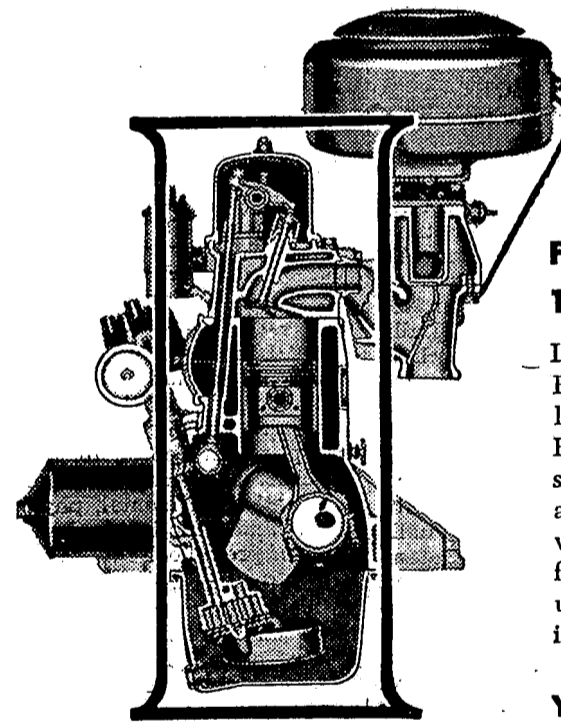
Dial MApple 5-4321

Ford presents two new deep-block engines



Ford's new 130-h.p. Y-block V-8

This brand new Overhead-Valve V-8 has an extra-deep block which resembles a "Y" in cross-section. This new deep-block design means greater rigidity for smoother, quieter performance . . . longer engine life. Other features which make this engine a long-lived, smooth, savingful performer are: new low-friction (short-stroke) design, Free-Turning Overhead Valves, new 5-bearing crankshaft, and new high-turbulence combustion chambers.



Ford's new 115-h.p. I-block SIX

Like the new Y-block V-8, this engine has Ford's deep-block design for greater rigidity, longer engine life. Also, like the V-8, you get Ford's modern manifold, low-friction design, high-turbulence combustion chambers, and Ford's Automatic Power Pilot. One advantage of both new engines is an amazingly flat "torque curve" which gives you top pickup power through the whole range of driving speeds.

Check the extra dividends in the '54 FORD

Your Ford Dealer invites you to inspect and Test Drive Ford's new dividends for '54. You'll find new, smoothing, easy-handling Ball-Joint Front Suspension . . . a new, stronger frame . . . 5 optional power assists* . . . beautiful new styling, inside and out. They're all reasons why Ford's the one fine car in the low-price field. *Available at extra cost.

You are cordially invited to come in and Test Drive the

'54 Ford



More than ever . . . THE STANDARD for THE AMERICAN ROAD

BEATTIE MOTOR SALES

"23 Years Your Ford Dealer"

ORlando 3-1925

Waterford, Mich.

School News

CLARKSTON ELEMENTARY
THIRD GRADE - Mrs. Connelly

In geography we are studying about lumbering.

We have six polywogs that we enjoy watching. They are beginning to get their legs.

Martha Torr treated us on her birthday.

We are hearing "Alice In Wonderland" during story time.

We drew some pictures about the story.

THE WABAHSAS

edited by the Sixth Grade

INDEPENDENCE TOWNSHIP (continued from last week)

Nearly the entire area of this township was originally timber. The soil generally is fertile, although it is more productive in some localities than in others. On the Plains especially it is very readily cultivated and yields fine returns. The farm improvements of the township are excellent, indicating an intelligent, industrious class of citizens.

FOURTH GRADE Mrs. Mann

The fourth grade has two new pupils. They are Joey Sheffield and Mary Lee Caverly.

They have two View Masters and they are fun to use. They have a new pair of Sunset Varidus fish which are very beautiful. They have a baby Betta. This is a Siamese fighting fish and in Siam the people wager on the outcome of a battle between them.

FIFTH GRADE Mrs. Hedden

Mrs. Hedden's room enjoyed the movie about the Christmas program.

They are glad Nancy Lindsey is over the whooping cough. They have a popcorn sale Thursday. They hope to buy a projector for their View Master.

BAILEY LAKE Mrs. Burley

We have a new boy in our room. His name is Mike Vaughn. Marty Pyle caught a muskrat and brought it to school.

We have a bulletin board with "Frosty The Snowman", and a rubber exhibit in our room.

Our class officers are:
President: Rusty Wilson
Vice-Pres.: Susan Turek
Secretary: Brenda Allen
Treasurer: Kathy McDermott

We are bringing money for our trip to Bob-Lo.

SIXTH GRADE Mrs. Rowley

We all enjoyed last Friday afternoon. Wish we had four semesters instead of two.

We are sorry to lose Mrs. Dennison as one of our lunch staff. Hope she doesn't forget Bailey Lake School.

Common denominators, whole numbers, improper fractions, lowest terms, and like fractions fill our room part of each afternoon.

South America has our attention in Geography.

ATTENDANCE RECORD

The following students have been neither absent nor tardy:

First Grade: Stevie Vargo, Michael Vargo.
Second Grade: Norman Berg.
Third Grade: Larry Smith, John Motdock, Mary Bates, Michael Vargo.

Fourth Grade: David St.Clair, Donald Vargo, Carl Schloper.

In Cupid's Corner



UNDER CUPID'S CAPRICIOUS influence, it seems likely that shy Mr. Boynton is about to cast discretion to the winds. Ordinarily Eve Arden as schoolteacher Connie Brooks doesn't find her fellow faculty member in such a receptive mood—but every Sunday, including Valentine's Day, she wins the hearts of young and old who tune in "Our Miss Brooks" over CBS Radio at 6:30 p.m. EST.

Fifth Grade: Billy Barnes, Mike Bates, Dolores DeNise, Gary Young, Robert Parson, Carl Wentz, Rosalie Lippert, Larry Petty.

Sixth Grade: Robert Vargo, Richard Caverly, Mary Brewer, Albert Cohoon, Sharon Herald, Sally Taylor, Frieda Sherrill has perfect attendance but was tardy once.

A quart of Vitamin D milk every day will provide enough of this "growth vitamin" to meet the requirements of the average boy or girl, the nutritionist states.

Vitamin D is needed by the body to make use of the minerals, calcium and phosphorus for the building of strong bones and teeth. Vitamin D milk contains all three of these food substances in the proportions needed for normal growth and development.

Babies need Vitamin D to prevent the disease called rickets which results in deformities of the bones such as bow-legs and knock-knees. During their first two years, they usually get their Vitamin D from preparations prescribed by a physician.

After babyhood, children need the vitamin throughout their growing period. It is needed, too, by expectant and nursing mothers.

In addition to Vitamin D milk, other good sources are fish liver oils and Vitamin D preparations as prescribed by a physician.

Mrs. Smith points out that because a little of Vitamin D is good, a lot is not necessarily better. Ask your physician about Vitamin D preparations.

U-M CONSERVATION STUDENTS CONDUCT DEER CENSUS

Counting deer for college credit is routine procedure nowadays for University of Michigan wildlife management students who each year travel to the U-M Edwin S. George Reserve near

Pinckney to conduct the annual "deer census".

According to Prof. Warren W. Chase, chairman of the U-M Department of Wildlife Management, this year's census, or "deer drive" showed a total of 74 deer living on the reserve. Since the herd is usually kept at about 50, this means that approximately 25 of the animals will have to be "harvested" or removed.

In conducting the census, a line of men is drawn across one extreme end of the reserve. Walking across the area, they naturally drive the deer towards the other fence. At that point the deer will reverse their path and, as they pass the men, are counted off, each man tallying those which pass on his right.

Professor Chase points out that deer harvesting is necessary "to avoid overbrowsing, lack of food and damage to the area". The harvesting will be conducted by Lawrence Camburn, custodian of the reserve.

Two miles square, the 1268 acre area was given to the U-M in 1930 by Col. Edwin S. George, Detroit industrialist. He had purchased the land originally as a country estate. Because he wanted to see deer around his home, Colonel George erected a fence about the land and stocked it with four does and two bucks.

This was in March 1928, and in 1933 the first deer drive and count was conducted. Results showed a deer population of approximately 160. Harvesting was begun that year. Since that time 738 deer have been removed. Currently about 25 are harvested each year.

Meat from the harvested deer is sold to Ann Arbor townspeople and others interested in obtaining it. The skins also are sold. Proceeds from all sales go towards wildlife and related research conducted on the reserve.

Dr. Irving Cantrall, reserve curator, is in charge of studies conducted on the outdoor laboratory. He also plans, with the help of the U-M School of Natural Resources, the yearly deer census of the herd.

The reserve itself is managed through the U-M Museum of Zoology.

LONGER DAYS IN FEBRUARY MAY MEAN COLD

February's longer days may mean colder ones, at least for those who believe in the old prediction, "as the days lengthen the cold strengthens".

According to Hazel M. Losh, associate professor of astronomy, February's days will be steadily increasing in length but warmer

temperatures will not necessarily result.

She points out that "for several weeks after the winter solstice more heat is lost at night than can be replaced by the low altitude sun during the shorter-than-average days."

Among the planets, Professor Losh explains, Jupiter will be bright in the southern sky in early evening, setting about three hours after midnight. It will appear about twice as bright as Sirius, brightest star in the whole sky and to which a line through the three belt stars of Orion points. She adds that "on the night of February 11 the moon will pass about three degrees above Jupiter".

On February 24, just after midnight in the south of east, Saturn will rise below Spica and about an hour later Mars will be seen, passing about five degrees north of the red star, Antares, in Scorpius. The astronomer explains that Mercury, most difficult of all naked-eye planets to observe, should be visible during the second week of February, located just after sunset above the western horizon.

Angel food cake is in season now—as are other dishes calling for generous amounts of eggs. Homemakers of 20 years ago were careful how they used eggs in the winter time. But thanks to the "modern" hen who lays more and more eggs each week during the winter, today's homemakers needn't exercise economy in the use of eggs during this season.

SAVE MONEY BY RELUGGING TRACTOR TIRES

Your worn but sound tractor tires can be relugged. At least that's one saving in the farm cost-price squeeze, suggests Robert G. White, extension agricultural engineer at Michigan State College.

Relugging consists of rubber welding a new set of cold rubber lugs on those of a worn tire.

If your old tire is sound, White says, the relugging process will give you a revitalized tire at less cost than a new one. The U. S. Department of Agriculture's tillage laboratory estimates the process will cost about half of the price of a new tire. The laboratory insists that the tire will give good service if the relugging job is done properly.

The relugged tire will be comparable to new or recapped tires for drawbar pulls. White predicts, but in his opinion the relugged tires may wear faster.

Local implement dealers can give information on where the relugging job can be done.

The armchair gardener, who is now spending many an evening with the new seed catalogs, will find a useful addition to the flower and garden library in Farmers' Bulletin 1711, "Growing Annual Flowering Plants".

The 26-page illustrated bulletin is free on request to the Office of Information, U. S. Department of Agriculture, Washington 25, D. C.

DISASTER AT SEA! Now you can read the shocking, factual account of the world's worst disaster at sea! Learn the inside story of how Russian submarines claimed the lives of 30,000 helpless refugees fleeing their Communist "liberators". It's in The American Weekly, the magazine distributed with SUNDAY'S CHICAGO AMERICAN.

NEWS LINERS BRING RESULTS



Brown Eyed Susan

Brown Eyed Susan is my name. I am a sweet little girl with big brown eyes and I win many a flashing smile from the passing caballeros and envy from their senioritas.

I will brighten your table and you will never tire of me at breakfast, luncheon or dinner.

ALL VERNON WARE

16 Piece Starter Set . . . \$14.95

THE DIXIE POTTERY
Phone Orlando 3-1894
5281 Dixie Highway (near Waterford)
Open Daily & Sunday 10 A. M. to 9 P. M.

DR. HARRY YOH
PHYSICIAN and SURGEON
21 E. Washington — Clarkston
Office Hours Daily Except Wed.
10 A. M. — 1 P. M.
3 P. M. — 5:30 P. M.
Evenings: Tuesdays and Fridays
Phone MA 5-3616

Rockwood W. Bullard, Jr.
John F. Naz
PHYSICIANS and SURGEONS
OFFICE HOURS BY APPOINTMENT ONLY
PHONE MA 5-5921
20 S. Main St. Clarkston

MORRISON DRUG
Prescriptions and Sundries
5809 Dixie Hwy. Waterford
Phone Orlando 3-2992
Emergency Number, OR 3-1846

Dr. DON STACKABLE
X-RAY
DENTISTRY
14 N. Main St. MA 5-3966

DR. A. W. EMERY
VETERINARIAN
5540 Dixie Hwy. Waterford
Residence Phone OR 3-1936

RONALD A. WALTER
ATTORNEY AT LAW
5 South Main Street
CLARKSTON
Phone MA 5-3441

WILLIAM H. STAMP
ATTORNEY AT LAW
News Office Ph. MA 5-4321
CLARKSTON



Relax...
WHILE YOUR CLOTHES DRY just right...

Eliminate the hard work and forget weather worries, dry your clothes with an automatic gas clothes dryer.

Ease into a comfortable chair, pick up a novel or some knitting and relax. Your laundry will dry soft and fluffy in less time and all automatically.

Sudden changes in weather will not phase you . . . because you dry your laundry inside where fabrics are safe from harmful wind, rain, smoke and freezing temperatures. And because you don't have to subject yourself to these same elements while hanging clothes outside, you feel better too. Yes, you save yourself and your clothes when you dry them the modern way . . . IN AN AUTOMATIC Gas CLOTHES DRYER.

ONLY Gas DRIES CLOTHES SO FAST... COSTS SO LITTLE TO RUN!

SEE YOUR GAS APPLIANCE DEALER

SIXTH GRADE Mrs. Wepter

Each child chose a city in Central or South America to write to for information and pictures. Some of the children are already receiving material. The following people have received their material: Bobbie Belcher from British Guiana, Marilyn McKee, from Guatemala, and Shareen Spohn has hers from Cuba.

They have put up a bulletin board about the United Air Lines.

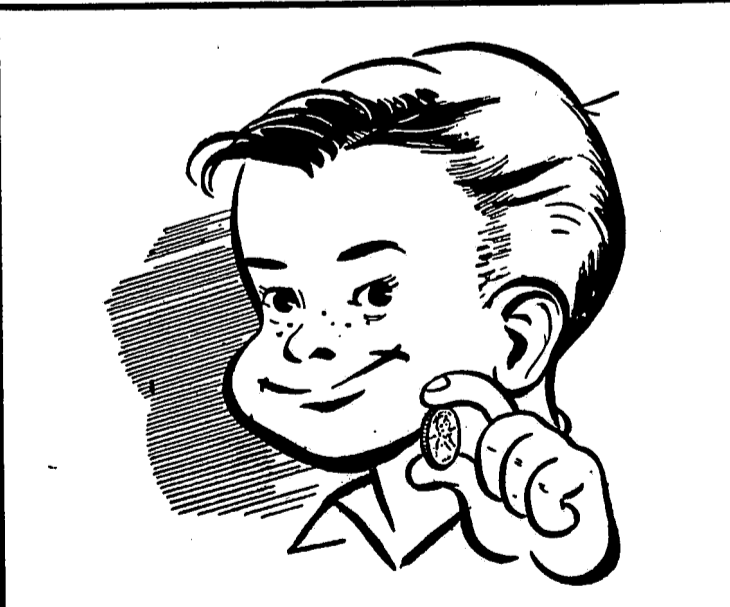
MUSIC Miss McKenney

All of the classes are learning new songs and listening to records to identify different things.

The fourth grade is learning songs from all of the countries they studied in geography.

GIVE CHILDREN ENOUGH VITAMIN D

With sunshine in Michigan at a low ebb this time of year, it is even more important than during

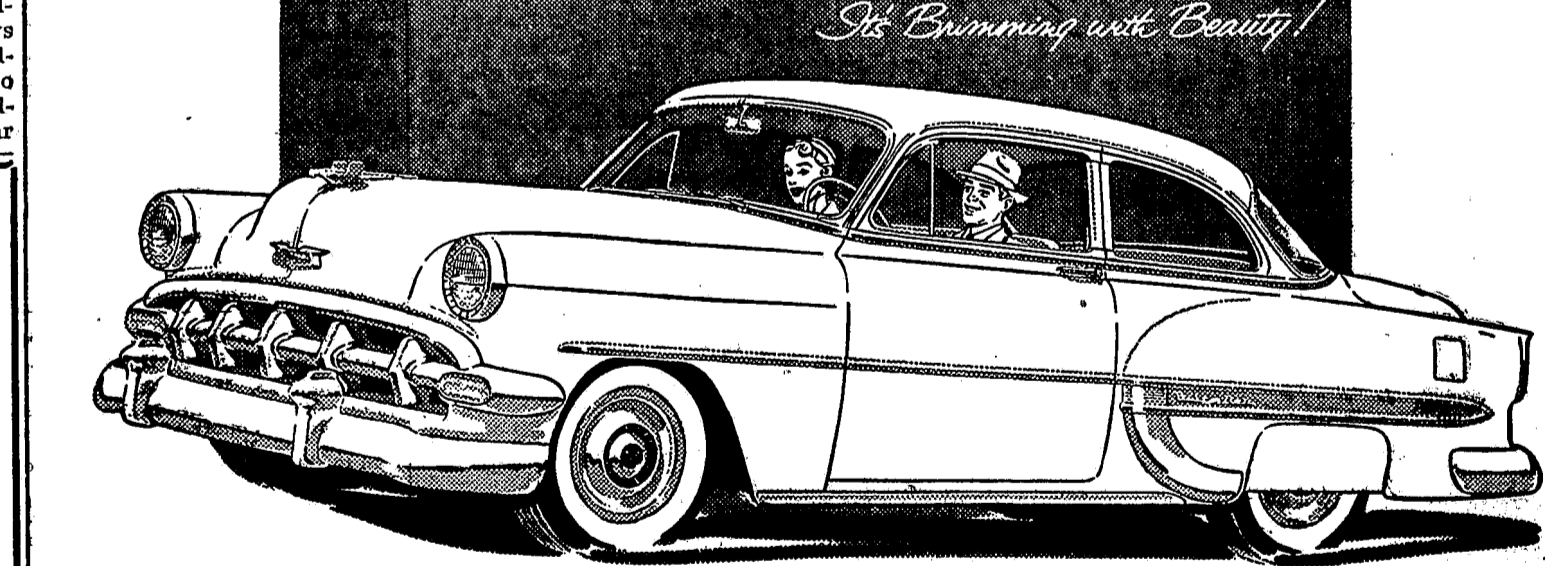


NEVER TOO YOUNG
..to start saving, with your help and ours....

Clarkston State Bank
Clarkston, Michigan

Member Federal Reserve System Member Federal Deposit Insurance Corporation

Only the '54 Chevrolet
gives you all these features at lowest prices!



The new 1954 Chevrolet Bel Air 2-door sedan. With three great series, Chevrolet offers the most beautiful choice of models in its field.

Striking New Luxury-Line Styling. Here are the best-looking Chevrolets of all time. Available in 161 model-color combinations!

Luxurious New Modern-Mode Interiors. Richer fabrics—vinyl trim—interior colors keyed to exterior colors in "Two-Ten" and Bel Air models!

New Power in "Blue-Flame 125" Engine. More power—more smoothness—more economy—with this brilliant Powerglide engine.

New Power in "Blue-Flame 115" Engine. The "Blue-Flame 115" Engine also gives you new high-compression power, finer performance and important gas savings.

Highly Perfected Powerglide. Now you can have the finer, thrifter Powerglide automatic transmission* on all Chevrolet models.

Extraordinary Four-Fold Economy. (1) Lowest-priced line (2) extremely low operating costs (3) exceptionally low maintenance costs (4) traditionally higher resale value.

New Low Price on Power Steering. Gives fingertip control. Available on all models.*

New Power Brakes for Your Safety-Protection. The first and the outstanding Power Brakes* in Chevrolet's field. Do much of the work of braking for you. (Available on Powerglide models.)

New Automatic Window and Seat Controls. Touch a button to raise or lower front windows. Move the front seat up and forward or down and back with the same ease. Available on "Two-Ten" and Bel Air models.*

Come in, see and drive the new 1954 Chevrolet at your earliest convenience, and we believe you'll decide it's the car for you! *Optional at extra cost.

DON PRINGLE CHEVROLET, INC.
Chevrolet and Oldsmobile CLARKSTON

POWERED FOR PERFORMANCE! ENGINEERED FOR ECONOMY!

SYMBOL OF SAVINGS CHEVROLET EMBLEM OF EXCELLENCE

PHONE Maple 5-5071

NEED PROPER BAIT FOR BEST SUCCESS IN ICE FISHING

The cache necessary for a February fish fry is easily and happily obtained when the ice fisherman equips himself with the proper bait, according to Karl F. Lagler, chairman of the University of Michigan Department of Fisheries.

"And it's almost as much fun collecting the bait as it is to actually fish", he adds.

Alexander Smith, U-M botany professor and also an ice fishing enthusiast, lists four popular, and easily obtainable, baits: beetle larvae, found under the bark of elm trees; golden rod worms, living in the plant stem; corn borers, located near the joints of diseased corn stalks; and sugar beet larvae, contained in the pulp after the sugar has been extracted.

For the purist who ties his own ice flies, Dr. Lagler recommends a No. 14 or 16 hook. "Clamp on a piece of split shot", he advises, "and add a maribou feather

streamer in the fish's favorite colors, red, yellow or white."

The hybrid, classed between a purist and live bait sportsman, uses an ice fly or small spoon hook, the professor says, and then adds natural bait "to stimulate the fish's chemical senses."

Professor Smith advises ice fisherman to remember that feeding habits of the fish may vary according to the lake, month and hours. Therefore, he urges sportsmen to try different times, since they may be missing the actual feeding period.

Even then, Dr. Lagler adds, the bait must have movement to attract the fish. For perch and crappies he recommends small live minnows, and when using a grub or fly he urges fishermen to simulate action. Also, the bait must be placed on the hook in a natural position.

According to Professor Lagler, winter fish appear to either feed off organisms foraging on lake bottoms or those clambering up on aquatic plants. Therefore, he points out the relationship between the type of bait and place used such as a wiggler in weed beds or on mud bottom.

But regardless of bait, time or place, he adds, scientists long ago learned that a fish's winter appetite is as good, if not better, than his summer one. Therefore, he adds, the ice fisherman stands on an equal par, maybe even

How About That!

25 MILLION AMERICANS are more than 600 MILLION POUNDS OVERWEIGHT!

Grapefruit used as an appetizer, salad, dessert, or snack provides high Vitamin C content and reduces desire for high calorie food!

WHILE NO DOCTOR KNOWS OF A SURE CURE FOR THE COMMON COLD, DOCTORS URGE LOTS OF FLUIDS AND VITAMIN C TO TREAT IT.

on fields where a soil test has been made and shown need of lime and where legumes and grasses will be sown in either 1954 or 1955.

Installation of tile and construction of open drain ditches.

Sowing of legumes and/or grasses to be plowed under as green manure in 1955.

Establishment of sod waterways.

Tree planting for forestation or windbreak purposes.

Establishment of contour strip-cropping and field strip-cropping to protect soil from wind and water erosion and the establishment of permanent cover of legumes and grasses on eroded, stoney or low fertility land and in commercial orchards.

Peanuts and peanut products are among the plentiful foods listed for February by the U. S. Department of Agriculture. A newly-revised collection of more than three dozen recipes is available in the Home and Garden Bulletin No. 36, "Peanut and Peanut Butter Recipes". Single copies are free on request to the Office of Information, U. S. Department of Agriculture, Washington 25, D. C.

No county in the U. S. can afford to be without honey bees, claims E. C. "Bert" Martin, Michigan State College entomologist. Many important fruit and seed crops either would fail to bear or would yield lower without honey bees to carry pollen between flowers, he explains.

Geo. H. Kimball, Jr. INSURANCE

OFFICE — VanWeit Bldg. 4540 Dixie Highway Drayton Plains, Mich. Phone: OR 3-9101

RESIDENCE 5875 Andersonville Rd Waterford, Mich. Phone: OR 3-2388

SHARPE FUNERAL HOME

LARGE CASKET DISPLAY

24 Hour Ambulance Service Clarkston, Michigan

Phone MA 5-2366 Collect

Phone OR 3-1423

5199 Dixie Highway Waterford, Michigan

Gidley Electric Shop ELECTRICAL CONTRACTORS

Commercial Industrial Residential Installation and Service General Electric Oil Burner Sales & Service

HANDY WAY TO SUBSCRIBE

The CLARKSTON NEWS Clarkston, Michigan

Please enter my subscription to The Clarkston News for one year for which I enclose \$2.00.

Name _____

City _____ State _____

MODERN STORAGE LOCAL AND LONG DISTANCE MOVING GAUKLER STORAGE CO.

Phone FE 2-9241 9 Orchard Lake Ave.

Laatsch's Northern T-V Service

6734 Dixie Highway — Clarkston

Phones: Business, MAple 5-5311 Home MA 5-5001

KING'S INSURANCE AGENCY

Office, Clarkston State Bank Charles W. Robinson Clarkston, Michigan Phone MA 5-2801

Isabel K. Bullen Phone MA 5-5051 Phone MA 5-4881

better, than his summer com-patriot.

SIGN UP FOR THE 1954 AGRICULTURAL CONSERVATION PROGRAM

Additional time has been approved by the Department of Agriculture for farmers to enroll in the 1954 Agricultural Conservation Program according to Walter R. Cook, Office Manager of the Oakland County Agricultural Stabilization and Conservation Committee. The enrollment period has been extended to March 1st, 1954.

Any farmer wishing to participate in the cost-sharing ACP Program should contact the County Office at 18 S. Perry St., 320 Hubbard Bldg., in Pontiac, or his local township committeeman.

Conservation practices that are eligible for cost-sharing are the application of liming materials

Legal Notices

ROBERT O. BROWN, Attorney, 1004 Ford Building, Detroit 26, Michigan

STATE OF MICHIGAN—In the Circuit Court for the County of Oakland, In Chancery.

RENEE R. NELMS, Plaintiff vs LOREN D. NELMS, Defendant.

No. D-3242

ORDER OF PUBLICATION

At a session of the said Court held at the courthouse in the City of Pontiac on the 27th day of January, A. D. 1954.

Present: Hon. George B. Hartrick, Circuit Judge.

Satisfactory proof appearing by affidavit of RENEE R. NELMS, plaintiff herein, on file in this cause, that the said LOREN D. NELMS, defendant herein, resides outside the State of Michigan.

On motion of ROBERT O. BROWN, attorney for the plaintiff, IT IS ORDERED that LOREN D. NELMS, the defendant herein, appear and answer this bill of complaint filed in the above entitled cause, within three months from the date of this order, or the said bill of complaint will be taken as confessed by said defendant.

IT IS FURTHER ORDERED that this order be published in The Clarkston News, as required by law, and also that a copy of this order be sent by registered mail to the said defendant at 507 Fairview Avenue, Fulton, Kentucky.

GEORGE B. HARTRICK, Circuit Judge

A True Copy,
Lynn D. Allen,
County Clerk,
By Wilfrid S. Cooney, Jr.,
Deputy

ROBERT O. BROWN,
Attorney for Plaintiff,
1004 Ford Building,
Detroit 26, Michigan
Feb. 4-11-18-25; March. 4-11-18

ESTES & COONEY, Attorneys, 812 Pontiac State Bank Bldg., Pontiac 15, Michigan

STATE OF MICHIGAN—In the Probate Court for the County of Oakland.

No. 61,176

In the Matter of the Estate of Carrie M. Middleton, Deceased.

At a session of said Court, held at the Court House in the City of Pontiac, in said County, on the 25th day of January, A. D. 1954.

Present: Hon. ARTHUR E. MOORE, Judge of Probate.

Robert L. Jones, administrator of said estate having filed in said Court his Final Account and petition praying for the examination and allowance thereof, determination of the heirs of said deceased, assignment of the residue of said estate, and the discharge of said administrator.

It is Ordered, that the 23rd day of February, A. D. 1954, at nine o'clock, in the forenoon, at said Probate Court in the Court House in the City of Pontiac, Michigan, be and is hereby appointed as the time and place for hearing said petition;

It is Further Ordered, that public notice thereof be given by publication of a copy of this order, once each week, for three successive weeks, previous to said day of hearing, in The Clarkston News, a newspaper printed and circulated in said County; and that notice be given to the heirs-at-law named in the petition for administration filed in this cause and to creditors whose claims have been allowed but not fully paid, by personal service of a copy of this order, or by serving the same by registered mail with return receipts demanded, addressed to their respective last known addresses, as shown by the files and records in this cause.

ARTHUR E. MOORE, Judge of Probate

ESTES & COONEY, Attorneys, 812 Pontiac State Bank Bldg., Pontiac, Michigan Feb. 4-11-18

News Liners Bring Fast Results

No car can match

'54 Chrysler's 235 H.P.

on Imperial and New Yorker De Luxe 195 HP on New Yorker

POWERFLITE

Full-time Power Steering and Power Brakes

Come drive the greatest performing "power team" of all... Chrysler 235 HP with PowerFlite, most automatic of all no-clutch transmissions! This is the car that won the Stevens Challenge Trophy at Indianapolis... covering 2157 miles in 24 hours to set the all-time endurance record in the world's toughest stock-car test! Now let this AAA-certified winner prove to you why the power of leadership is yours in a beautiful Chrysler!

PROVE IT YOURSELF IN A DEMONSTRATION RIDE!

CLARKSTON MOTOR SALES

32 S. MAIN STREET CLARKSTON

Custom Printing at its Best

We do the entire job from linotype to bindery in our own shop.

The Clarkston News

MAple 5-4321

Fun for all the family...
But who's getting dinner?

...Mom's ELECTRIC RANGE, of course

Sit down and enjoy television with the family, Mom.

Dinner always cooks to perfection in an electric range... and it's ready on time. Automatic controls maintain the one right heat for perfect results. No need to experiment with different cooking speeds for surface cookery, either. Simply snap a switch for the exact amount of heat you need!

BE MODERN COOK ELECTRICALLY

SEE YOUR DEALER or Detroit Edison

SAVE \$\$\$

Michigan Potatoes . 50 lb. bag **99c**

Campbell's Tomato Soup 6 cans **59c**

Tide 10c coupon deal 2 boxes **49c**

Northern Tissue . 4 rolls **29c**

Kleenex . 3 for **69c**

Book Matches 2 ctns. **25c**

Swanson or Kingnut Oleo . 2 lbs. **45c**

Langs Sweet Pickles qt. **39c**

Minute Maid Orange Juice 3 for **49c**

Pascal Celery large stalk **23c**

Carrots . 2 bunches **29c**

Sirloin Steak . lb. **59c**

Ring Bologna . lb. **29c**

RUDY'S

9 SOUTH MAIN MA 5-2811

Church News

(continued from page 1)
OUR LADY OF THE LAKES
Rev. F. J. Delaney, Pastor
Sunday masses at 7:00, 8:30, 10:30 A. M. and 12:00 noon.
Confessions at the church on Saturday from 4 to 5 and 7:30 to 9 P. M.
Holy hour every Thursday at 7:30 P. M., followed by confessions.

SASHABAW PRESBYTERIAN
5331 Maybee Road
Reverend William Bos
10:00 A. M. Sunday School
11:00 A. M. Morning Worship.
You are cordially invited to the services of this church.

FIRST BAPTIST CHURCH
3714 Sashabaw Road
Drayton Plains
Rev. James E. Taulbee, Pastor
Church School 10:00 A. M.
Morning Service 11:00 A. M.
Youth Service 5:30 P. M.
Public Prayer Service 7:00 P. M.
Evening Worship Service 7:30 P. M.
Mid-week Service, Wednesday, at 7:45 P. M.
Youth for HIM, Saturday, 7:00 P. M.

WATERFORD COMMUNITY
Andersonville Rd., near U. S. 10
Rev. Wright Van Plew, Pastor
Elizabeth Jencks, Children's Worker
Sundays
Sunday School, 9:45 A. M.
Worship, 11:00 A. M.
Adult Service
Junior Service
Nursery Care for children under 7
Youth Hour, 6:15 P. M.
Wednesday Evenings
Family Bible and Prayer Hour, 7:30 P. M.
Choir Rehearsal, 8:45 P. M.

ST. ANDREWS EPISCOPAL
4386 Dixie Hwy, Drayton Plains
Rev. Waldo R. Hunt
Minister-in-Charge
5845 Rowley Rd, Drayton Plains
Phone OR 3-7074

8:00 A. M. Holy Communion
10:30 A. M. Church School; Pre-School; Morning Prayer and Sermon by the Vicar.
(Holy Communion - First Sunday of each month)

DRAYTON PLAINS UNITED PRESBYTERIAN CHURCH
Rev. W. J. Kewissen, Jr., Pastor
9:45 A. M. Bible School. You need the inspiration of Bible study.
11 a. m. Worship service.

DAVISBURG METHODIST
Rev. Marshall Saunders, Minister
10:00 Sunday School, Eleanor Eldred, Superintendent. A class for every age. You will be glad you came.
11:15 Service of Divine Worship.

MT. BETHEL METHODIST

Rev. Marshall Saunders, Minister
10:00 Divine Worship
11:15 Sunday School, superintendent Earl Davis in charge.
Plan on being there, there is a place for you.

CHRIST LUTHERAN CHURCH
Rev. Arvid Anderson, Pastor
9:30 A. M. Sunday School with adult class
11:00 A. M., Morning Worship

FIRST CHURCH OF CHRIST, SCIENTIST
Oxford, Michigan
Sunday School 11:00 A. M.
Sunday Service 11:00 A. M.
Wednesday Evening Service 8:00
Reading Room at rear of Church, open Wednesday from 2 to 4 and 7 to 8 P. M.
The wholly spiritual nature of effective prayer which overcomes sin, sickness, and sorrow, will be set forth at Christian Science services this Sunday.

Selections from the Authorized King James Version of the Bible and correlative passages from "Science and Health with Key to the Scriptures" by Mary Baker Eddy comprise the Lesson-Sermon entitled "Spirit".
Scriptural texts include the following words of Christ Jesus from John:
"The hour cometh, and now is, when the true worshippers shall worship the Father in spirit and in truth: for the Father seeketh such to worship him. God is a Spirit: and they that worship him must worship him in spirit and in truth" (4:23 the, 24).
The following correlative citation from Science and Health by Mrs. Eddy will also be read:
"To enter into the heart of prayer, the door of the erring senses must be closed. Lips must be mute and materialism silent, that man may have audience with Spirit, the divine Principle, Love which destroys all error" (15:9).

Make your hometown paper more interesting by giving your news items to Mrs. Jack Hall in Waterford, Orlando 3-0281 and in Clarkston call MAple 5-4321. The Clarkston News is happy to print your church, school, club and social items.

balky Pen?
bring it in Today!
Reliable Service by Factory Trained Man
Complete stock of points for most pens, also repairs for electric shavers, Ronson and Parker Lighters.
General Printing & Office Supply
17 W. Lawrence St.
Pontiac, Mich.

NEWS LINERS

Lost—"Rover", black and white dog, part English setter, reward. Volberding, MA 5-3691. 23c

For Sale—Pontiac Custom Catalina, 8 cyl, loaded with extras, 9,000 miles, \$2100.00. MA 5-7841. 23p

Wanted—a farmer dealer or retired farmer for a Popular Brand Hybrid Seed Corn, Weed Killers and Insecticides. Indicate where you live. Reply to: Box 14, Adrian, Michigan. 23c2

Accurate saw filing by machine, also skate sharpening. Bill Kelley, 5050 White Lake Road. tkc

Wanted—washings, pick-up and delivery. Phone MAple 5-6708. 22p4

UNUSUAL OPPORTUNITY offers \$30 to \$50 weekly spare time—\$100 or more full time. Man appointed now can work in district supervisor position paying \$11,000 per year and up. Product well advertised and accepted liquid fertilizer backed by written guarantee. Little traveling - home nights - but car is essential. Write to: "Na-Churs", 210 W Monroe Street, Marion, Ohio. 22e3

More IRON LUNGS
IN USE IN '53
THAN EVER BEFORE
Join the **MARCH OF DIMES**
IT WILL TAKE MORE IN '54!
January 2 to 31

REGISTRATION DAY

FOR VILLAGE ELECTION Monday, March 8th, 1954
To the Qualified Electors of the Village of Clarkston, County of Oakland, State of Michigan.
Notice is hereby given that in conformity with the Michigan Election Law, I, the undersigned Village Clerk will, upon any day, except Sunday and a legal holiday, the day of any regular or special election or primary election, receive for registration the name of any person who possesses the qualifications of an elector in said Village not already registered who may apply to me personally for such registration. Provided however, that I can receive no names for registration during the time intervening between the THIRTIETH DAY before any regular, special, or official primary election and the day of such election. (If the 30th day shall fall on Saturday, Sunday, or a legal holiday registrations shall be accepted during the next full working day.)
NOTICE IS HEREBY GIVEN THAT I-WILL BE AT The Village Hall on,

Saturday, Feb. 6th

1954, the 30th day preceding said election from 1:00 P. M. until 5:00 p. m. on said day for the purpose of reviewing the registration and registering such of the qualified persons in said Village as shall properly apply therefor.
In any village in which the clerk does not maintain regular daily office hours, the village clerk of such village may require that the clerk of such village shall be at his office or other designated place for the purpose of receiving applications for registration, on such other days as it shall designate prior to the last day for registration, not exceeding five days in all.
Notice is hereby further given that I will be at 15 Miller Road, in said village, the 1st of Feb., 1954, from 1 o'clock p. m. to 9 o'clock, p. m. and the 8th day of Feb., 1954, from 7 o'clock, p. m. to 9 o'clock, p. m.
The name of no person but an ACTUAL Resident of the village at the time of said registration and entitled under the Constitution, if remaining such resident, to vote at the next election shall be entered in the registration records. All the provisions relative to registration in Townships and cities shall apply and be in force as to registrations in villages.
RALPH THAYER, Village Clerk
Dated: Jan. 23, 1954

High powered sanders, edgers, hand sanders, sump pumps for rent. WATERFORD HARDWARE, TELEVISION, ORlando 3-2526.
Sleeping rooms, by the week, at the Caribou Inn, Clarkston. 344kc

Bull-dozing, sand, gravel, fill dirt. Head Bros. ORlando 3-2584. 29kc

For Sale—Hay, straw, corn and wood. All kinds of tractor work wanted. MA ple 5-3502. tkc

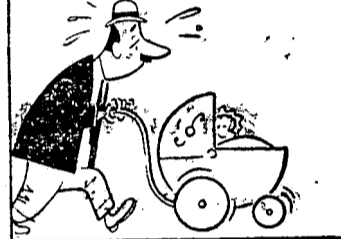
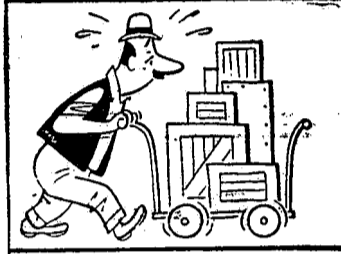
Wanted—ironings and baby sitting in my home. Phone MAple 5-2476. 18c4

Costume Jewelry, Imported China, Reproduction of Early American Glass and Lamps. Many outstanding gift items. Cards and Gift Wrapping. HANDCRAFT HOUSE, 5775 Dixie Hwy, in Waterford. 43kc

Furniture bought and sold—one piece or a house full—for cash. Attend our weekly Auction, every Friday evening. B. & B. Auction Sales, 5089 Dixie Highway, Phone ORlando 3-2717. Waterford. 30kc

NEWS LINERS BRING RESULTS

Looking for Something?



FOR HOME OR BUSINESS NEEDS
LOOK IN THE 'YELLOW PAGES'
OF YOUR TELEPHONE DIRECTORY

Wanted to Buy—a house between Clarkston and Waterford. Phone MAple 5-3696. 20c

Wanted—sewing, drapes and men's alterations a specialty. Ph. MA ple 5-3781. 7 tkc

MONUMENTS & MARKERS
At price you can afford to pay. MILFORD GRANITE WORKS MILFORD, MICH.

Road gravel, washed sand and gravel, black dirt, bull-dozing and landscaping. Phone MA 5-4899. 32kc

For service on any refrigerator, call Solley Refrigeration. Phone MA 5-4477. 30kc

Make Old Floors Look Like New

Make your old floors glisten like new. We rent floor sanders and supply materials.
MILLER and BEARDSLEE LUMBER COMPANY
MA ple 5-2311
CLARKSTON

NEWS-LINERS BRING RESULTS

CARL P. ANTHONY JR.
6151 SUNNYDALE
CLARKSTON Phone: MA 5-2061
Representing
INCH MEMORIALS INC.
MONUMENTS and GRAVE MARKERS
Over 75 Years Serving Oakland County
864 N. Perry St. Pontiac, Mich.

A joy in any woman's life
a beautiful Lyon kitchen
Lyon kitchen cabinets and sinks will give your kitchen a "tailored look" with a price tailored to fit your pocketbook. Drop in soon and let us show you a Lyon kitchen—kitchens designed with you in mind.

Only Lyon has these outstanding features...
—Self-cleaning
—Insulated for quiet operation
—Modern appliances
—Adjustable shelves
—Built-in for every need
DEER LAKE LUMBER & SUPPLY
7110 Dixie Highway Clarkston

Remember

YOUR HOME NEWSPAPER
All matters handled through the Probate Court require a certain amount of legal publication in one of the county papers. Foreclosing a mortgage entails publication of the foreclosure notice in a county paper.
Either the probate court officers or your attorney will have your legal publication carried in The Clarkston News if you request it.
We solicit the privilege of carrying such legal publications. This form of advertising is valuable to us. When you support us in this way we are able to give you a better paper each week.
The Clarkston News

Bowling Scores

(continued from page 1)
HOWE'S LANES
COMMUNITY LEAGUE

Team	W	L
Waterford Market	52	32
Rudy's Market	51.5	32.5
Lotan's Market	48.5	35.5
Lamberton's Service	47	37

Lytell & Colegrove	46	38
Airway Products	37.5	46.5
Richardson Farm Dairy	28	56
Gidley Electric	25.5	58.5

INDIVIDUAL SINGLE
 E. Parker 240

INDIVIDUAL SERIES
 E. Tremper 590

TEAM HIGH SINGLE
 Gidley Electric 939

TEAM HIGH SERIES
 Rudy's Market 2692

WATERFORD MERCHANTS
 (Blue Division)
 Jan. 26, 1954

Team	W	L	P
Waterford Market	38	22	53
Sportsmen's Inn	34	26	45
Rask Collision	33.5	26.5	44.5
Waterford Hotel	27	33	39
Gidley Electric	28	32	37
Waterford Hdw.	27.5	32.5	35.5
Head's Barber Shop	27	33	34
Community Act.	25	35	32

INDIVIDUAL SINGLE
 M. Johns 227

INDIVIDUAL SERIES
 D. Denton 625

TEAM HIGH SINGLE
 Head's Barber Shop 1019

TEAM HIGH SERIES
 Head's Barber Shop 2827

WATERFORD MERCHANTS
 (Red Division)

Team	W	L	P
Froling's Upholstering	34	26	47
Dixie Welding	34	26	45
Lamberton Service	32	28	43
Dixie Floral	30.5	29.5	42.5
Leo & Joe's	31.5	28.5	41.5
Jacobson's Market	31	29	42
Old Mill Tavern	28	32	38
Beattie Motor Sales	19	41	21

INDIVIDUAL SINGLE
 J. McCaffrey 245

INDIVIDUAL SERIES
 A. Beebe 630

TEAM HIGH SINGLE
 Jacobson's Market 942

TEAM HIGH SERIES
 Dixie Welding 2733

WHY THE MARCH OF DIMES NEEDS 50% MORE IN '54

LARGER GIFTS FROM EVERYONE NECESSARY TO FINANCE FULL PROGRAM PLUS POLIO PREVENTION

POLIO PREVENTION
 TRIAL VACCINE
 GAMMA GLOBULIN

PATIENT AID
 RESEARCH
 PROFESSIONAL EDUCATION
 SERVICES & OPERATION

"DIRT FARMING"
 by Hans H. Haugard
 Assistant County Agricul Agent
 Cheap chicks may cost you a lot of money. Quality birds may cost you more at the start but you'll be taking in profits instead of paying out money.
 That's the advice of Hans H. Haugard, assistant county agricultural agent. Chick quality, he points out, is measured in terms of low death rate, efficient use of feed, rapid growth, fast and complete feathering and uniform size.
 In a laying flock, whether you are getting market eggs or hatching eggs, you want good production.
 Buying from hatcheries that carry on a good pullorum testing program helps to insure healthy chicks, the county agent emphasizes. Hatcheries and poultry breeders participating in the National Poultry Improvement Plan must meet prescribed standards of pullorum testing as well as sanitation.
 The pullorum status of any hatchery may be obtained by writing Howard Zindel, head of Michigan State College's poultry department. He administers the NPPI in Michigan.
 If you have neglected to get your contribution in to the March of Dimes, do so at once. More is needed in '54 if the fight against polio is to be won. You may help to save your child or yourself from this crippling disease.

SPECIAL
 New Low Prices on Hand Packed
SUPER-FINE ICE CREAM
 at
CHEESEMAN'S ICE CREAM SHOP
 Clarkston

Quarts	78c	Pints	39c
Half Gallon		1.35	

Open every day - 10 to 7

GOOD FOOD AWAITS YOU
 At The
Clarkston Cafe
 Bring The Family - They Will All Enjoy It
 Real Home Cooked Food Served In A Modern Dining Room
 Same Low Prices
 Phone MA 5-9191
 Jessie & Bob Parker

Try our
Home-made Goods
Baked Fresh Daily
Clarkston Bakery
 Old Post Office Building

Flowers For All Occasions
 We Telegraph Flowers
Waterford Hill Greenhouses
 EDWARD and ETHEL CRAFT, Florists
 5992 Dixie Highway on Waterford Hill ORlando 3-2481

DOLL SHOE DEPARTMENT
 Everything for dolls at Morgan's from new NYLON hose to FURS. See our DOLLS' SHOE DEPARTMENT. Novelties, toys,
VALENTINES
 Beautiful Greeting Cards. Don't forget to send that Valentine to a friend.
MORGAN'S TOYS and NOVELTIES
 Dixie Highway at M-15
 Next door to the Tally-Ho Restaurant

Grocery SPECIALS

Round or Sirloin Steak	choice grade	lb.	79c
Head Lettuce	large size	2 for	27c
Frozen Orange Juice	Old South	2 for	29c
S & W Cream Corn	fancy grade	2 for	35c
Broccoli	bunch		29c
Butter	Remus	lb.	68c
Beef Pot Roast	choice grade	lb.	49c
Green Onions		2 bunches	19c
Frozen STRAWBERRIES	Birdseye	12 oz. pkg.	29c
Bologna	large or ring	lb.	35c

Terry's Market
 "Your Complete Food Market"
 MAple 5-4341
 Clarkston

RITA'S BEAUTY SHOP
 33 Miller Road, Clarkston
 Permanents from \$5 up including hair conditioning treatment
 Cold Wave \$8.50 to \$10.00
 Shampoo & Wave \$1.00
 Call MAple 5-4466
 For appointment

French Vanilla "Home Maid" Ice Cream

TO TAKE HOME PACKAGE
 PINT 29c
 1/2 GAL. 95c

HAND PACKED
 PINT 39c
 QUART 75c

DIXIE SPOT
 Dixie Hwy. at M-15

Card Of Thanks
 The family of the late William H. Edgar wishes to express heartfelt thanks to all those who were so considerate during their recent bereavement. The floral tributes, the contributions to the Heart Fund and other expressions of sympathy and the consoling words of the Reverend Father Growney were greatly appreciated.

Card Of Thanks
 We wish to express our sincere thanks to all who were so very thoughtful during our recent sorrow. We appreciated the cards, flowers and other expressions of sympathy and the kind and comforting words of the Reverend Robert M. Atkins.
 Mr. and Mrs. William O'Roark
 Mr. and Mrs. Norman Davison
 Mr. and Mrs. Edward O'Roark

Dear Editor:

... the letters start. Then from all over the free world come such comments as these from readers of THE CHRISTIAN SCIENCE MONITOR, an international daily newspaper:

"The Monitor is most reading for straight-thinking people..."
 "I returned to school after a lapse of 18 years. I will get my degree from the college, but my education comes from the Monitor..."
 "The Monitor gives me ideas for my work..."
 "I truly enjoy its company..."

You, too, will find the Monitor informative, with complete world news. You will discover a constructive viewpoint in every news story.

Use the coupon below for a special introductory subscription - 3 months for only \$3.

The Christian Science Monitor, Boston 12, Mass., U. S. A.
 Please send me an introductory subscription to The Christian Science Monitor - 36 issues, 1 cent each \$3.

(name) _____
 (address) _____
 (city) _____ (state) _____ (zip) _____

Village Caucus

TAKE NOTICE, that a Clarkston Village Caucus will be held at the Village Hall on the 15th day, February, 1954 at 8 o'clock p. m., for the purpose of Nominating Candidates for the several Village Offices to be filled at the Annual Village Election, March 8, 1954, viz: President, Clerk, treasurer, three trustees for two year term, assessor.
 Ralph Thayer, Village Clerk

Motor Wise

WHY? WHY? WHY?

WHY?
 Why not let us pick up YOUR car - change the oil, lubricate and wash it, tune up - and deliver a car you will enjoy driving.

BEACH'S Standard Service
 AAA Service MA 5-5731
 US 10 at M-15

News Liners

SPECIAL - New low Prices on Hand-Packed, Super-Fine Ice Cream at Cheeseman's Ice Cream Shop, Clarkston. Quarts, 78c; Pints, 39c; Half Gallons, \$1.35. Open every day 10 - 7. 23c

NEWS LINERS BRING RESULTS
 Try our delicious Hamburgers. Take a bag full home. Cheeseman's Ice Cream Shop, Clarkston. 23c

NEWS LINERS BRING RESULTS
 Valentine Gifts for everyone at Cheeseman's Gift Shop, Clarkston. 23c

NOTICE
RABIES VACCINATION CLINICS
 Sunday, Feb. 7, 1954
 1 p. m. to 4 p. m.
 at the following locations:
 Waterford: Fire Hall, 4995 Highland Road
 Keego Harbor: Fire Hall, South Willow Beach Road
 Leonard: Addison Township Hall
 Clarkston: Fire Hall, Main and East Church Streets
 Commerce: Fire Hall, Commerce Road

Vaccination Cost - \$ 1.50
 Oakland County Board of Health

Powell's Village Market
 Phone MAple 5-2711
 4 S. Main St.

Pet or Carnation Milk	2 tall cans	25c
Defiance Catsup	2 bottles	37c
Red Sour Pie Cherries	No. 303 2 cans	39c
Oxydol or Duz	2 large pkgs.	51c
Choice Standing Rib Roast	lb.	63c
Butter	lb.	68c
Fresh Ground Beef	3 lbs.	1.00
Jumbo Shrimp	5 lb. box	4.49

FRESH DRESSED
 Poultry Rabbits

DRY Cleaning
 MODERN Efficient
BERG CLEANERS
 6700 Dixie Hwy. Ph. MAple 5-3521

Clarkston Dairy Bar
 is now Open Sundays from 10 a.m. - 8 p. m.

Featuring:
 1/2 Fried Chicken, Fish
 ALSO TO TAKE HOME
Chops, Steaks
A Real Home Cooked Meal
 We proudly Serve
SWIFT'S ICE CREAM
 All Popular Flavors

Sell or Swap with News Liners